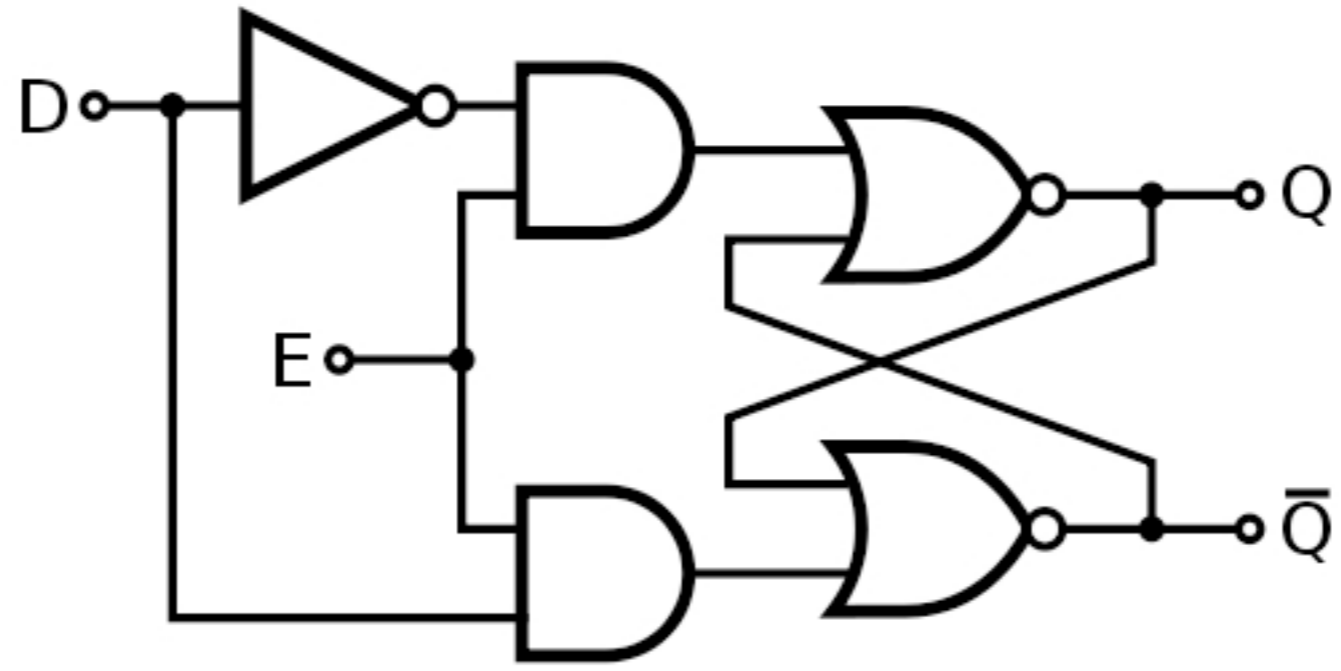
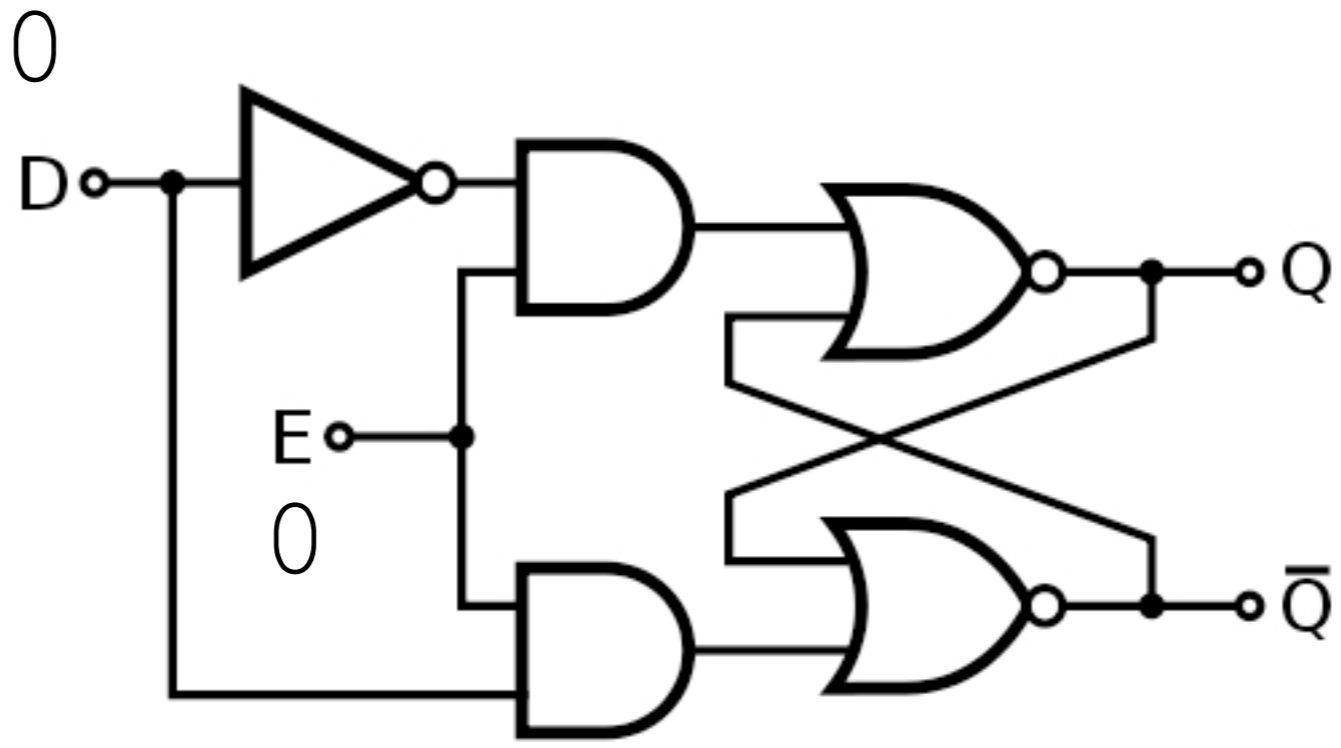
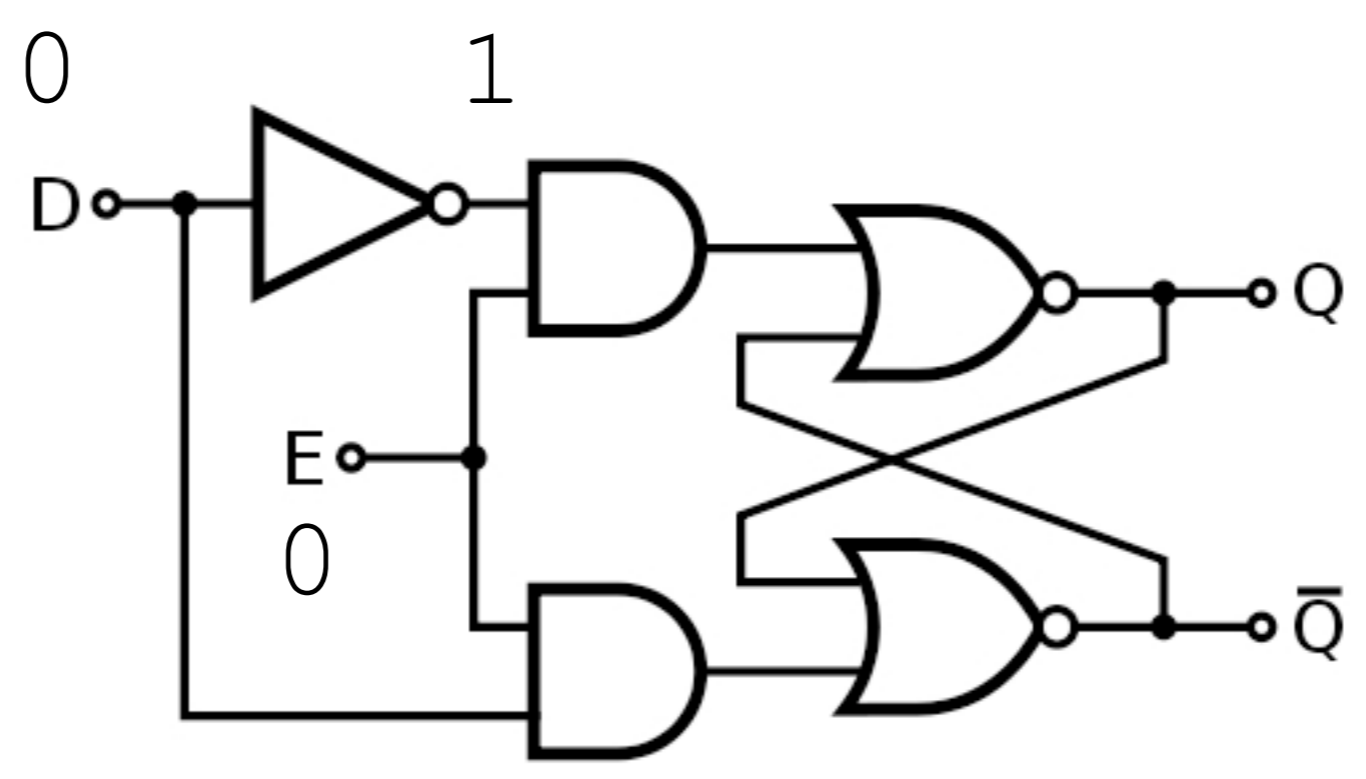


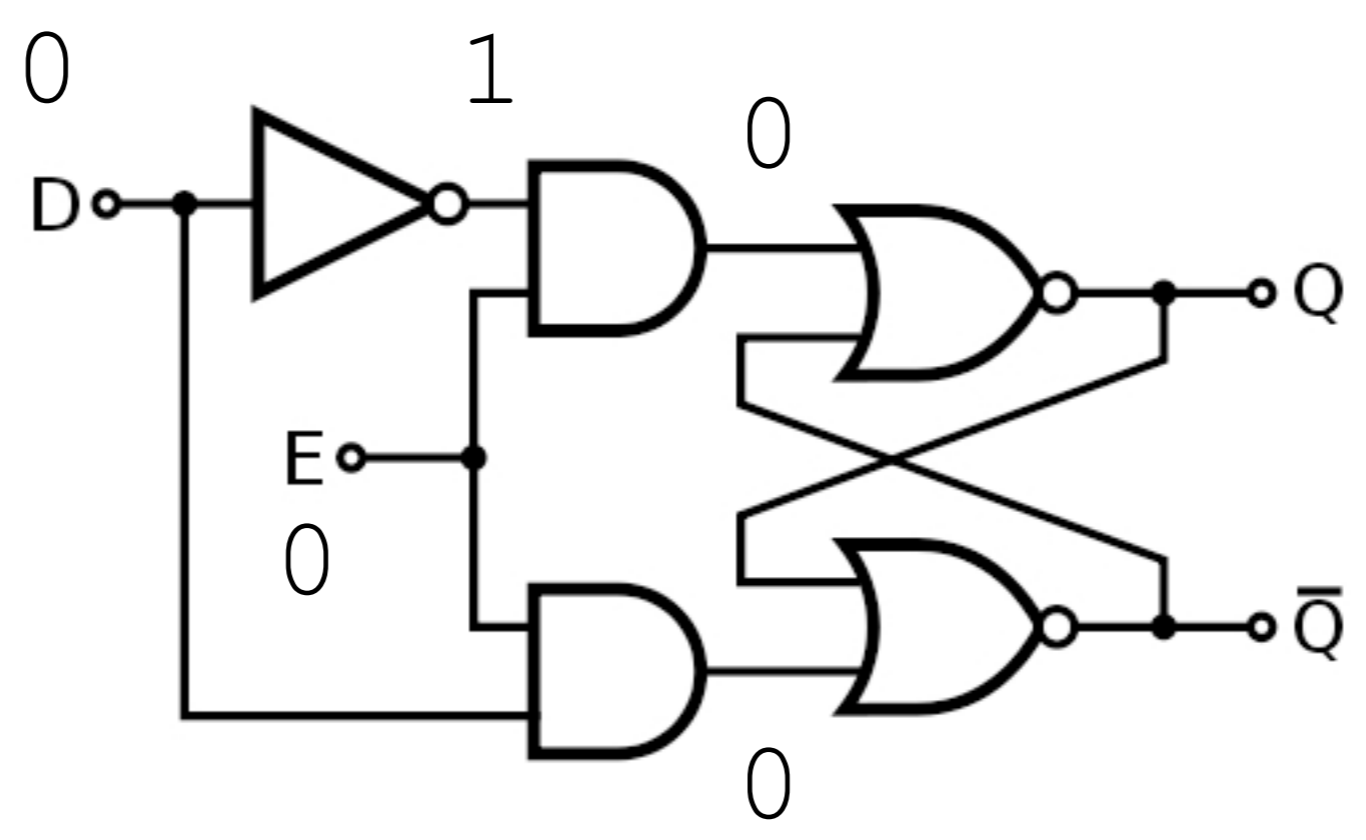
Initial States

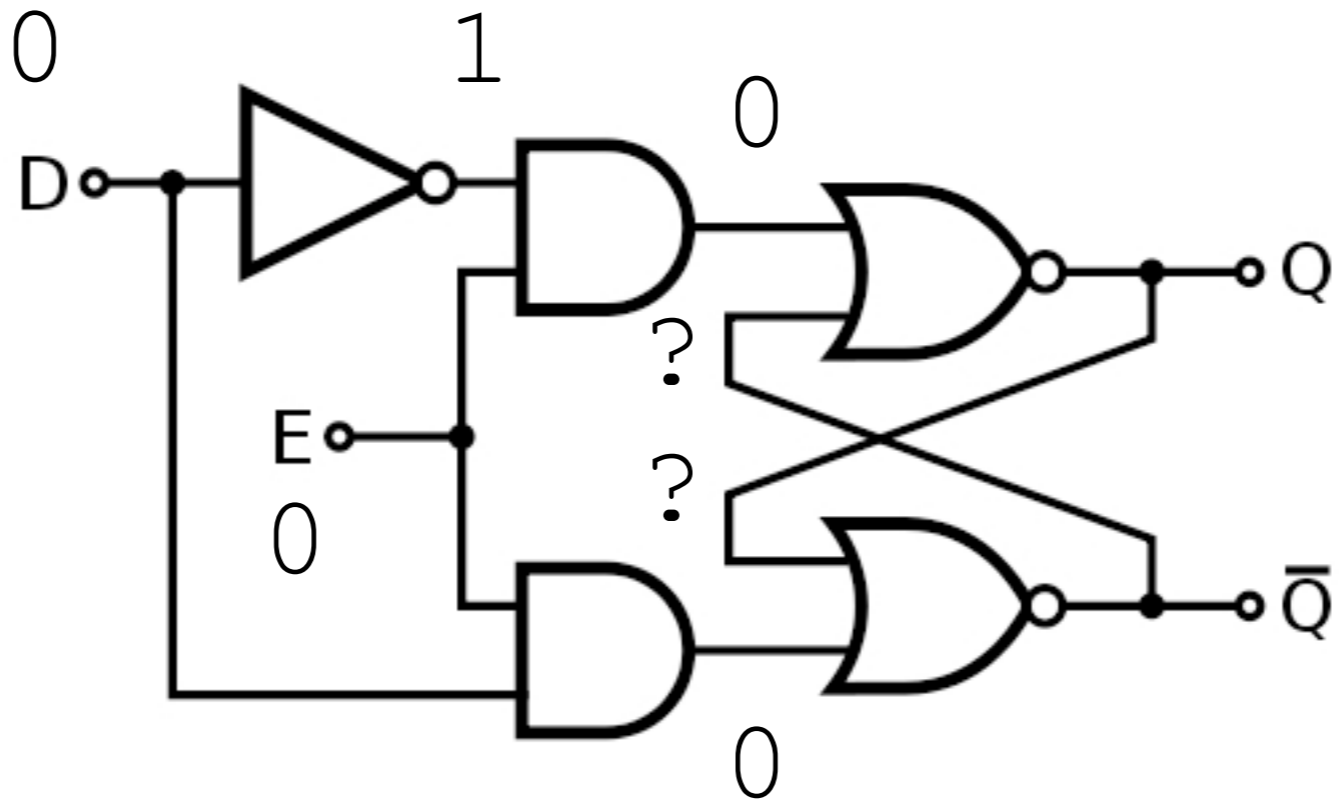
D: 0, Clock: 0

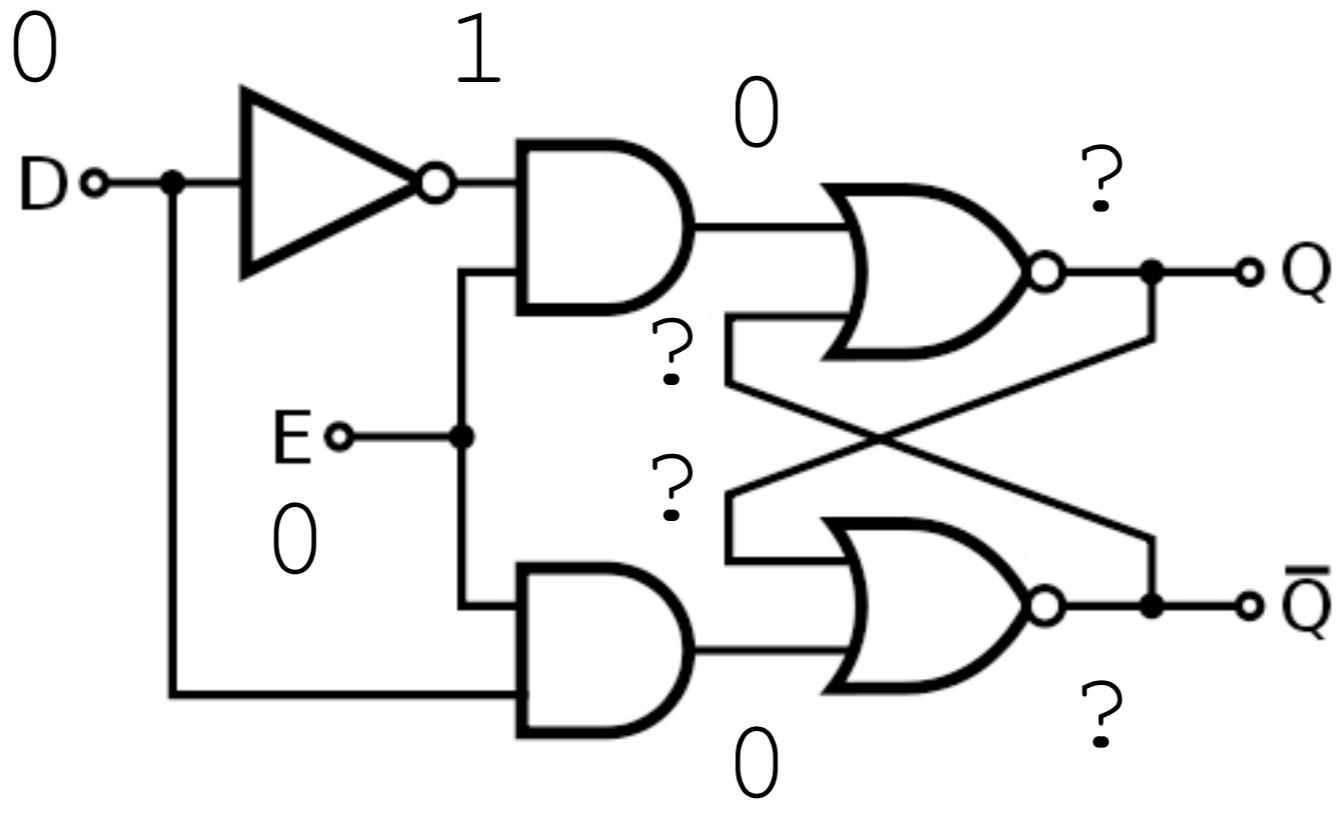




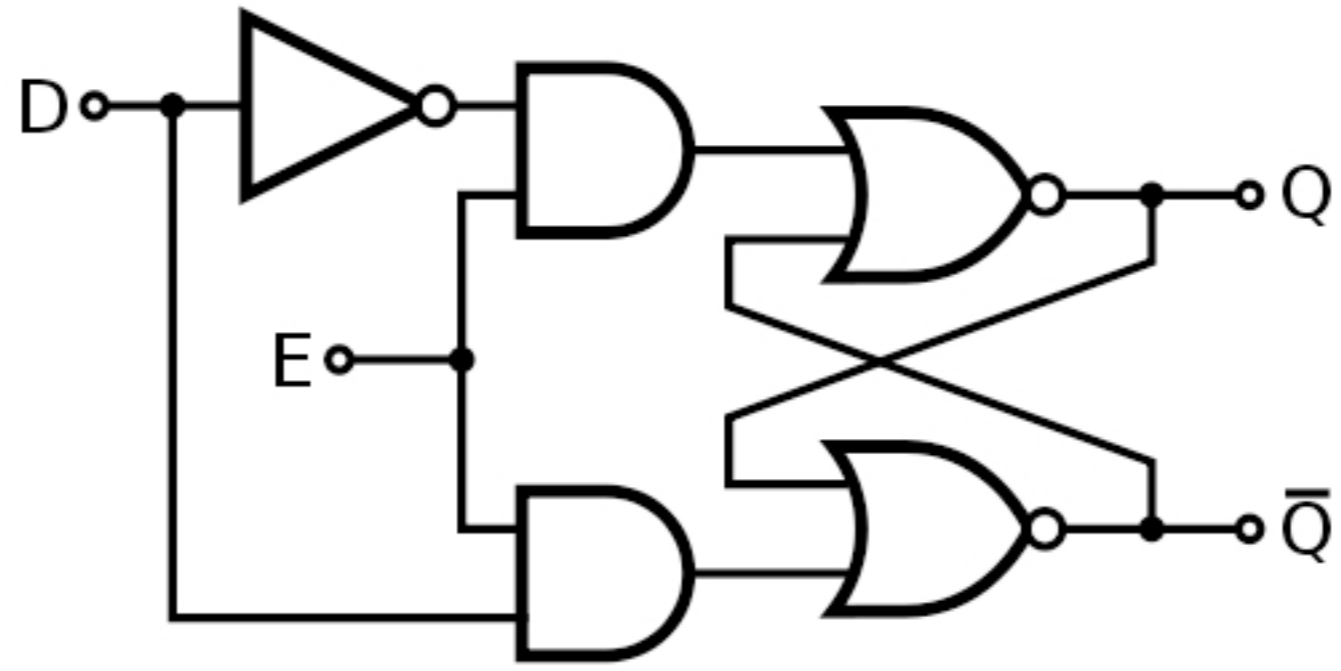


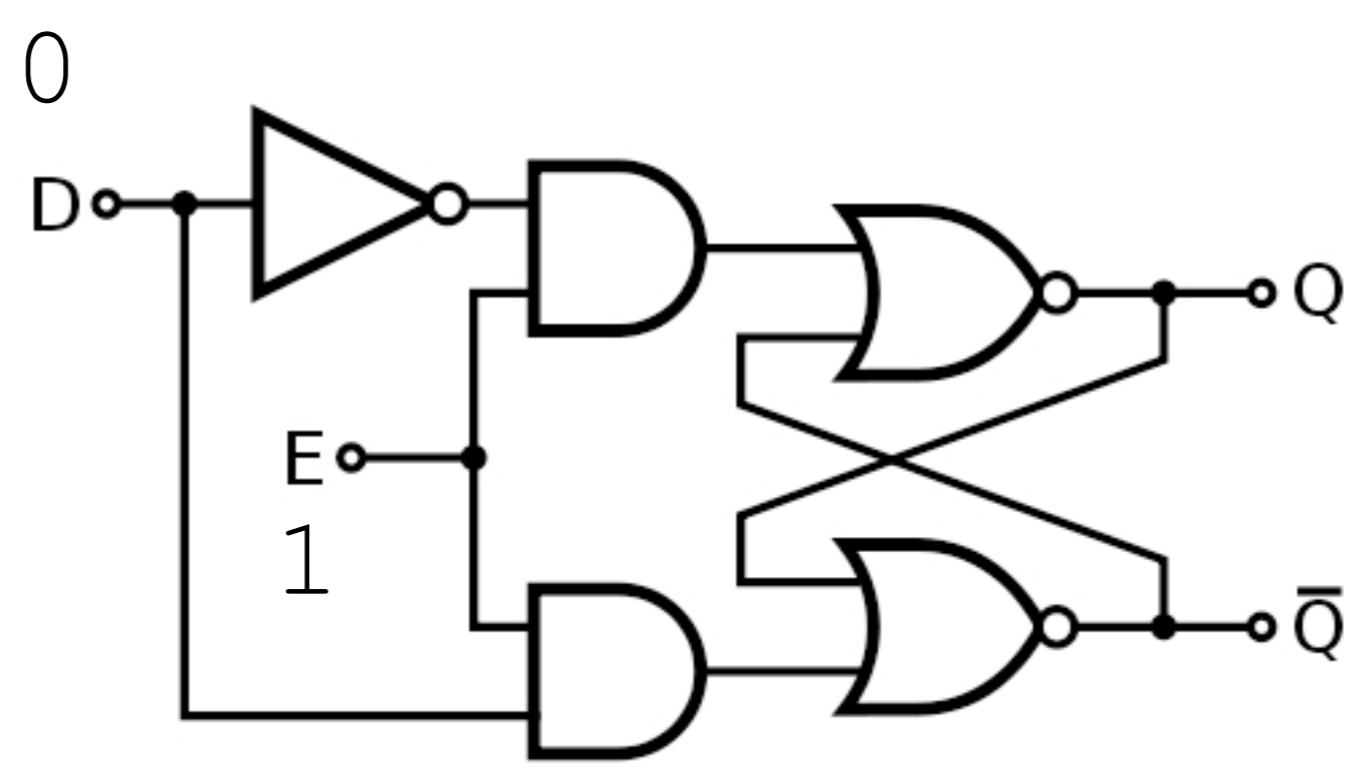


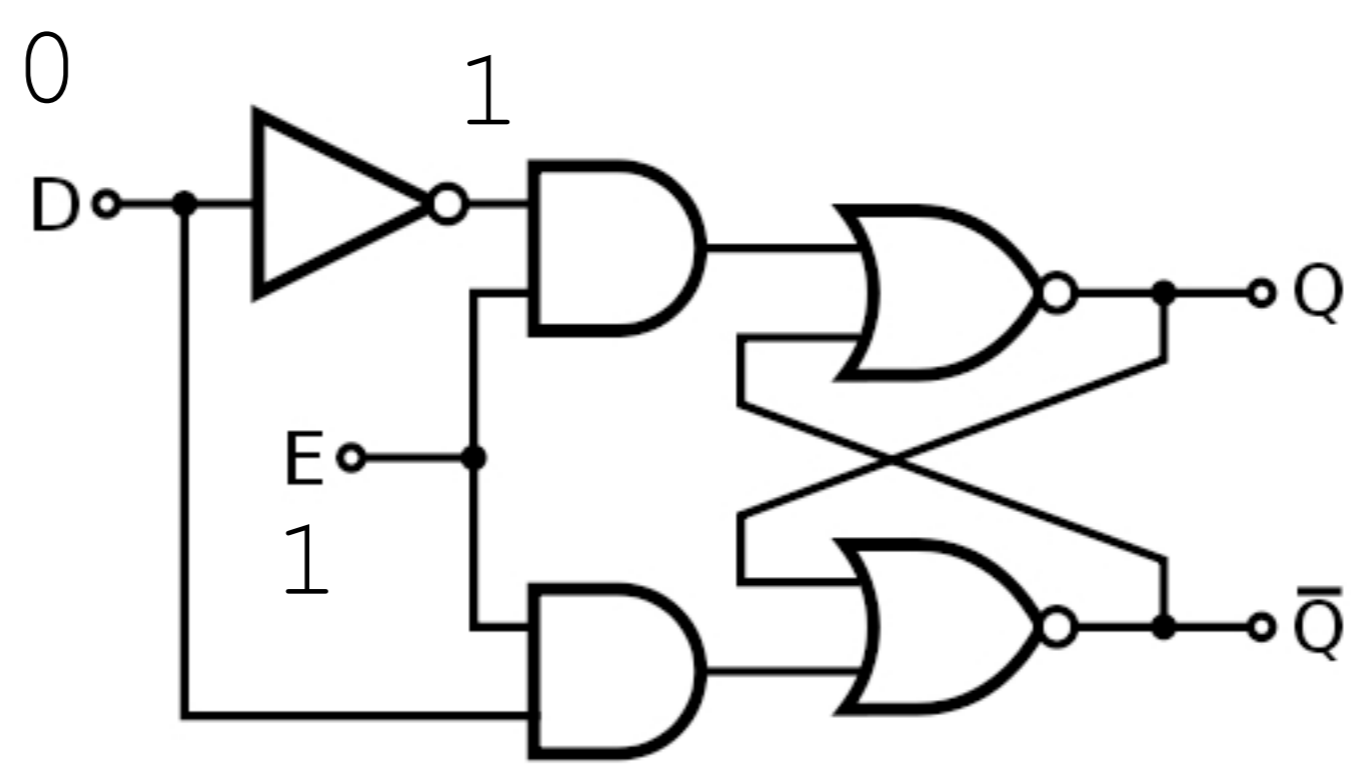


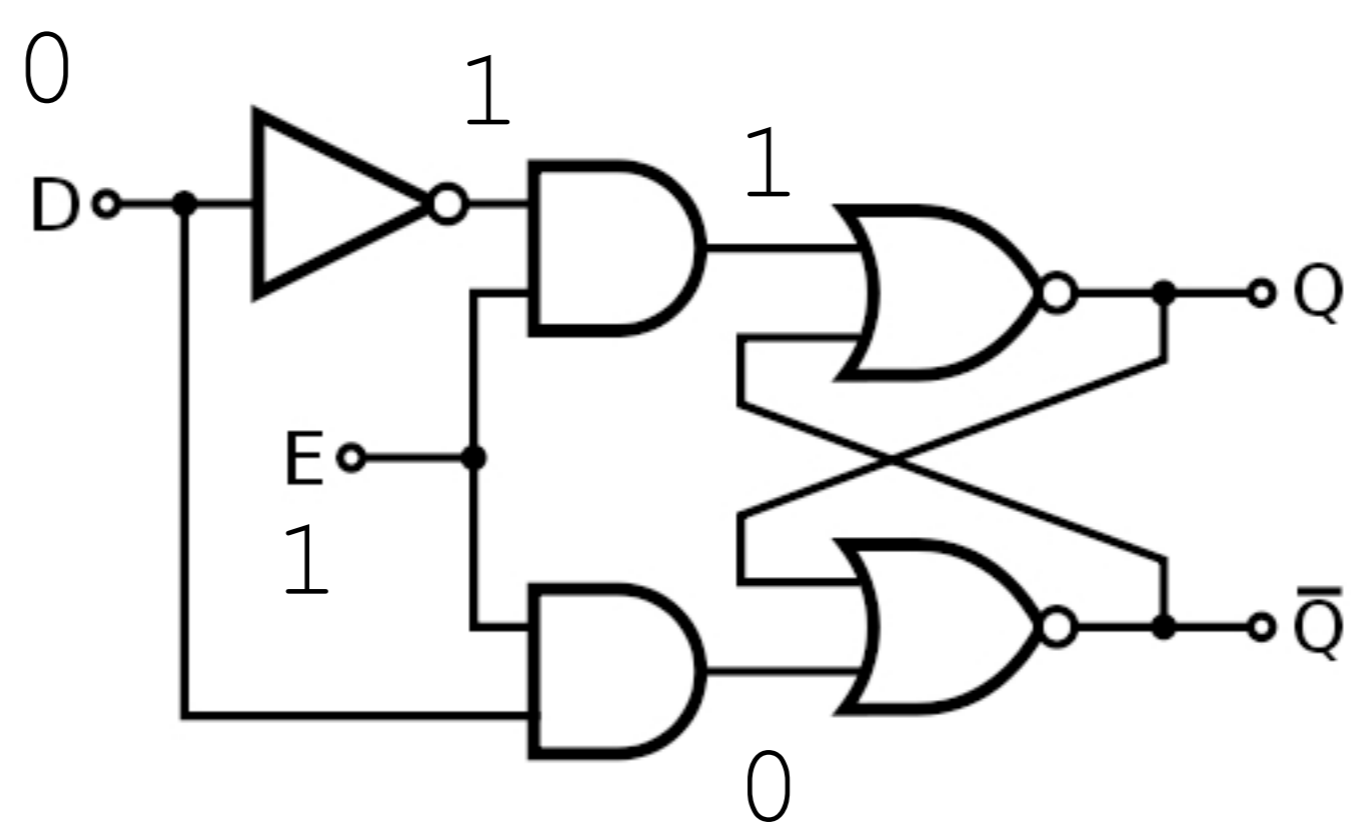


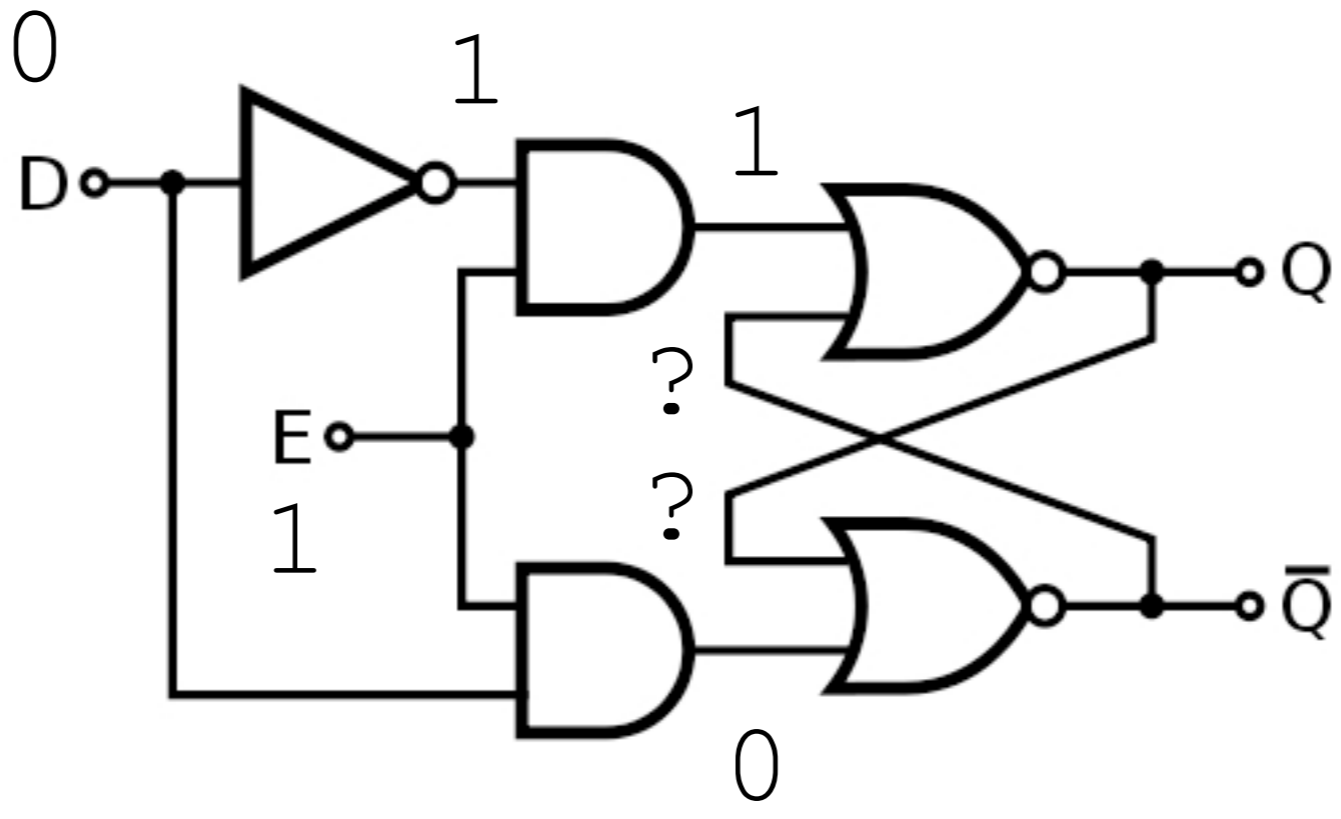
D: 0, Clock: 1

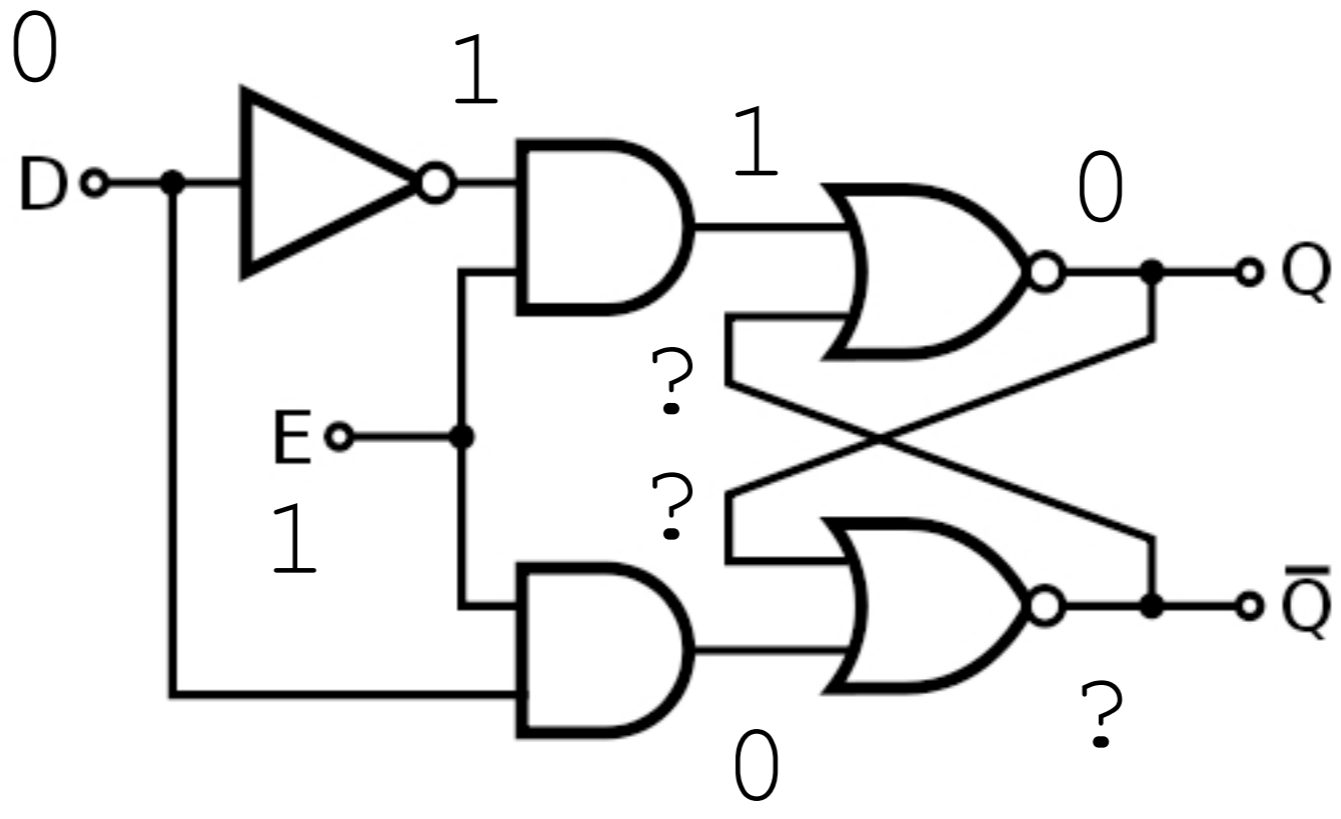


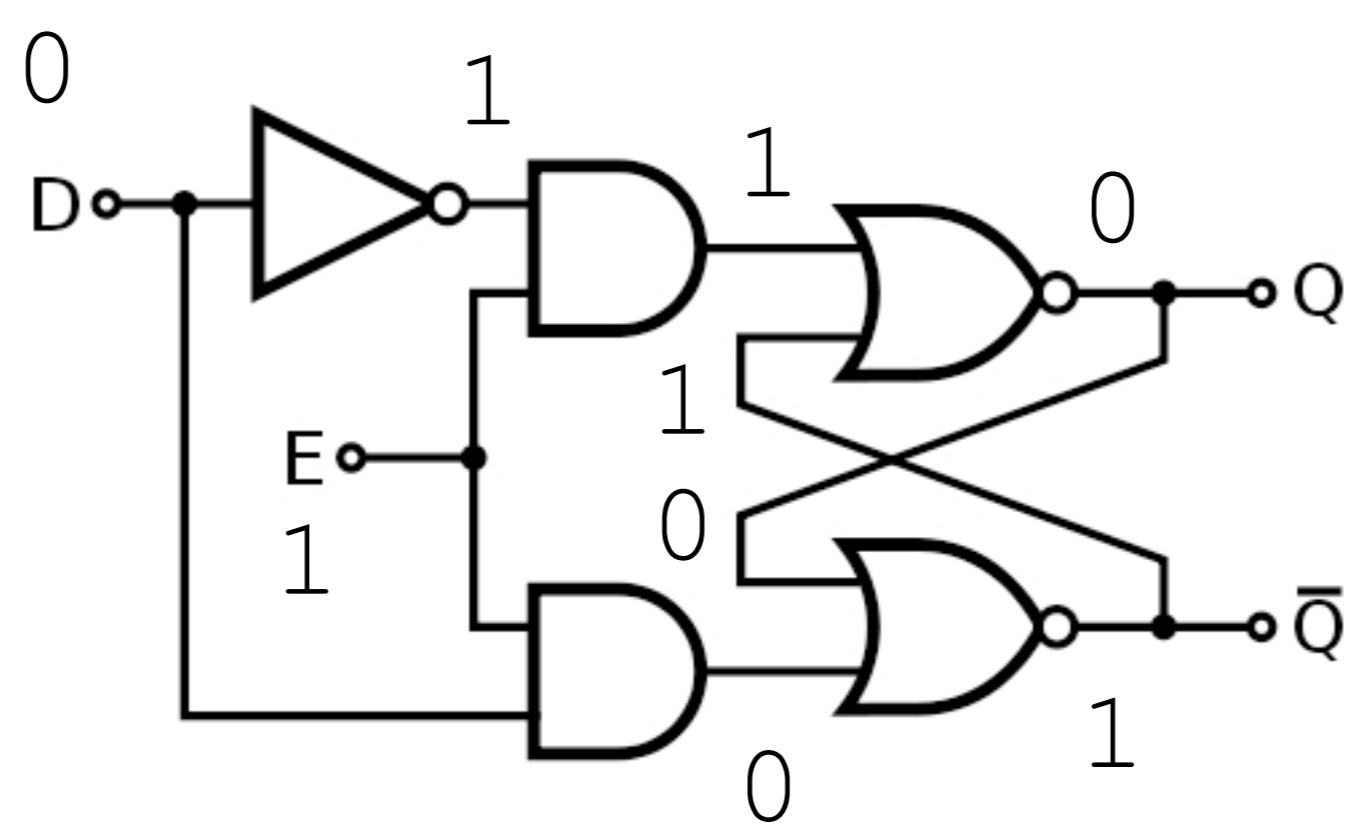




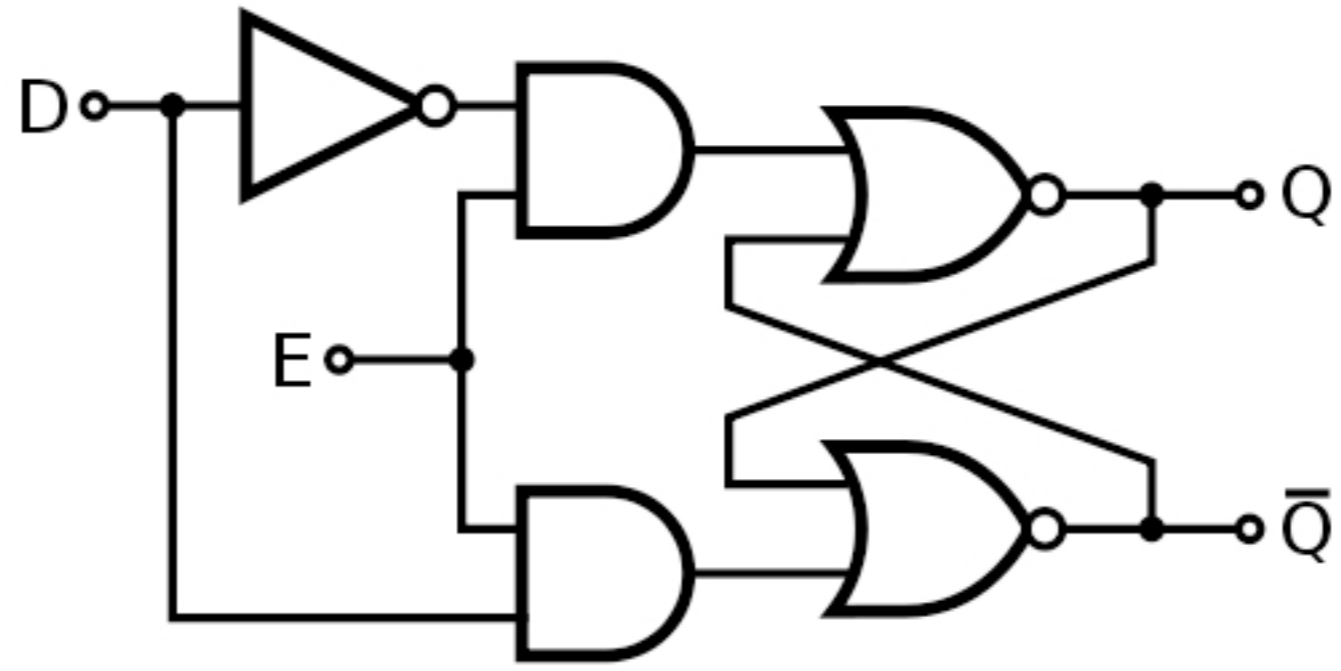


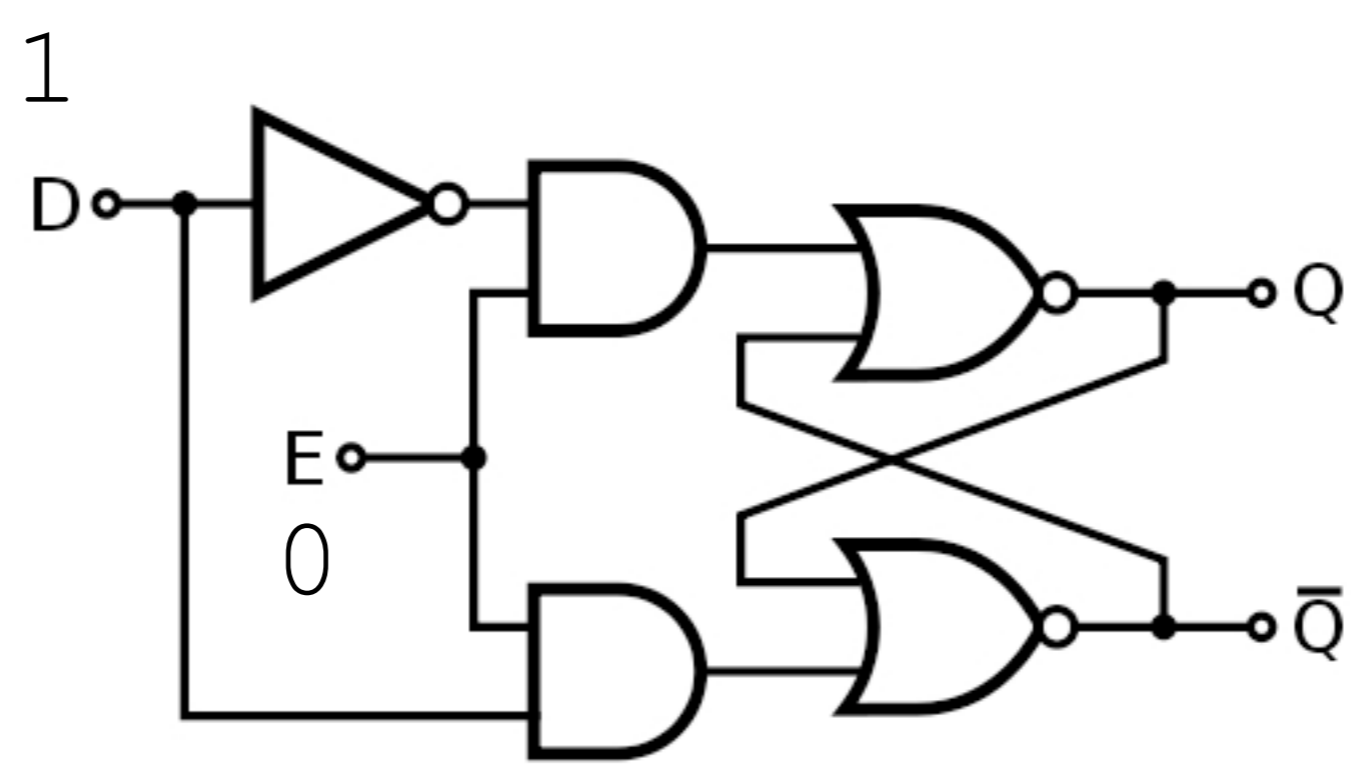


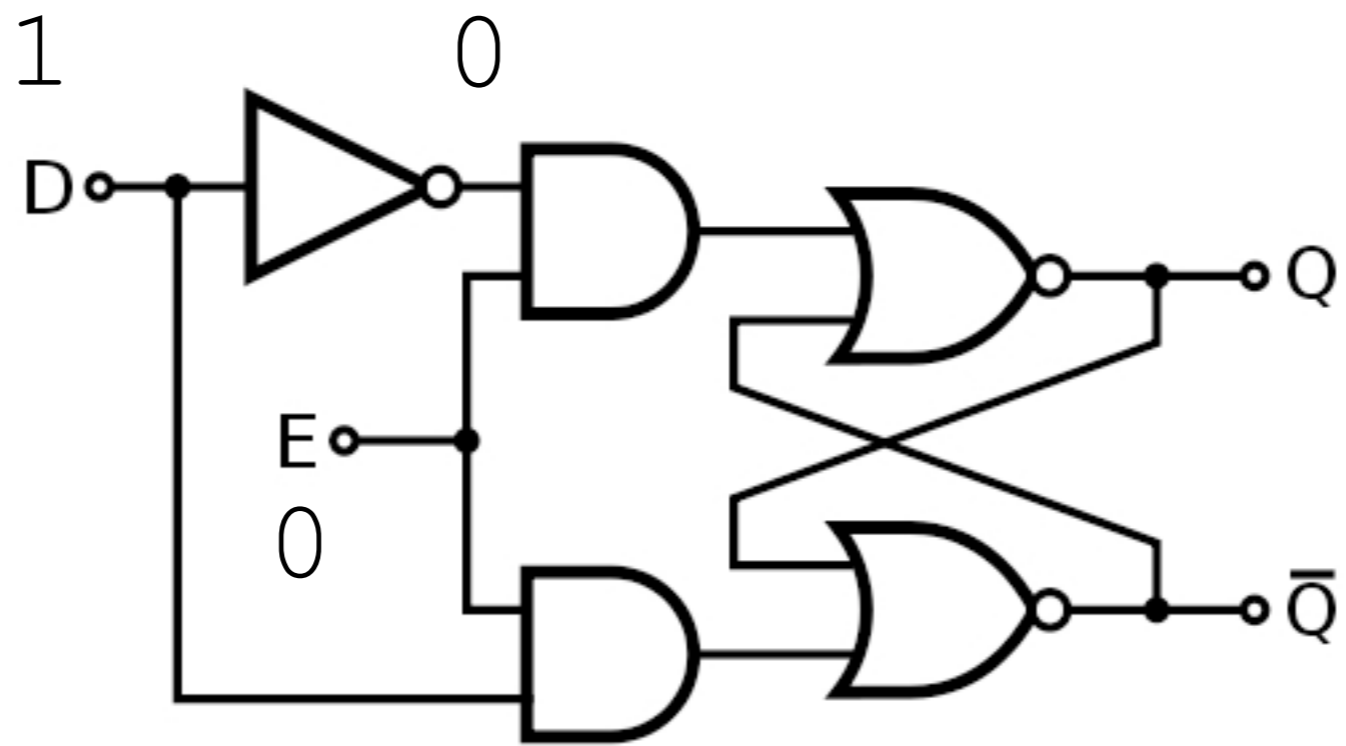


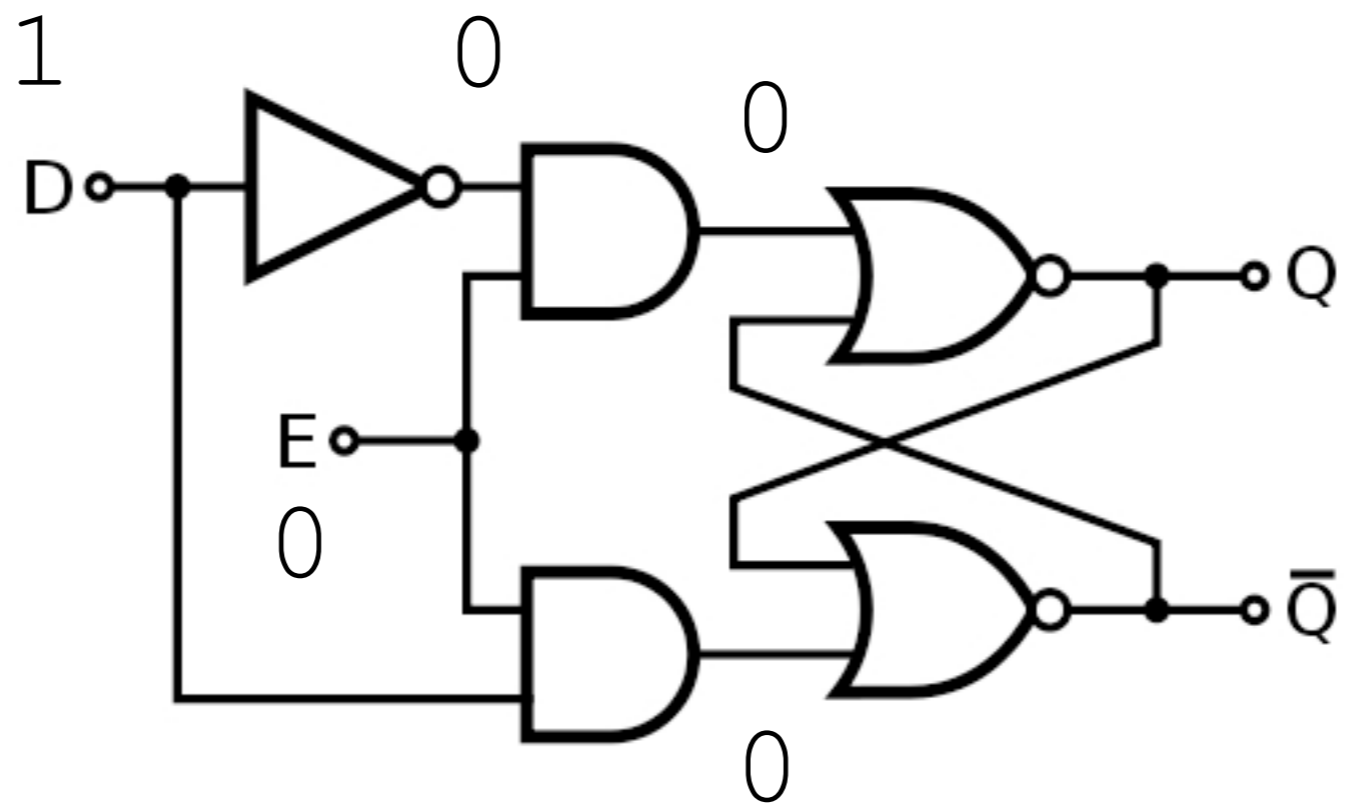


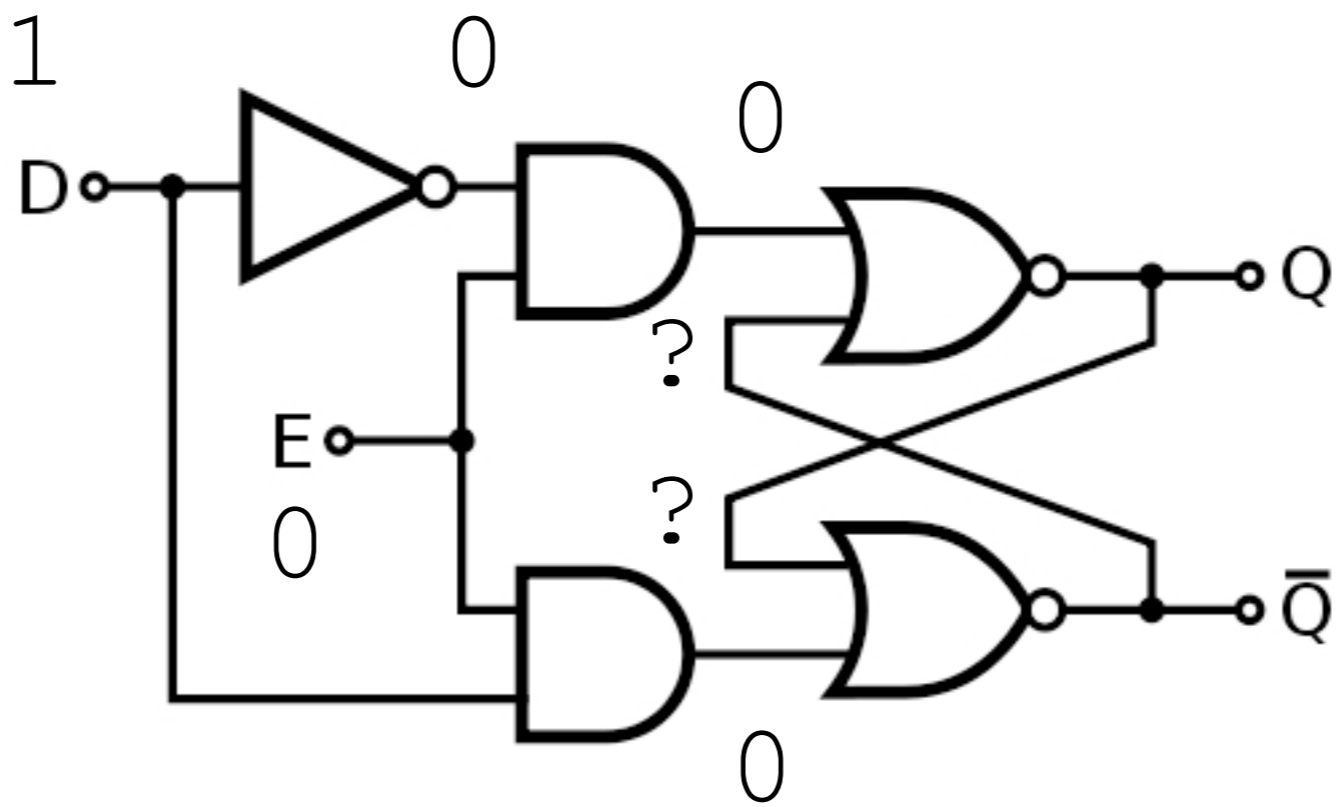
D: 1, Clock: 0

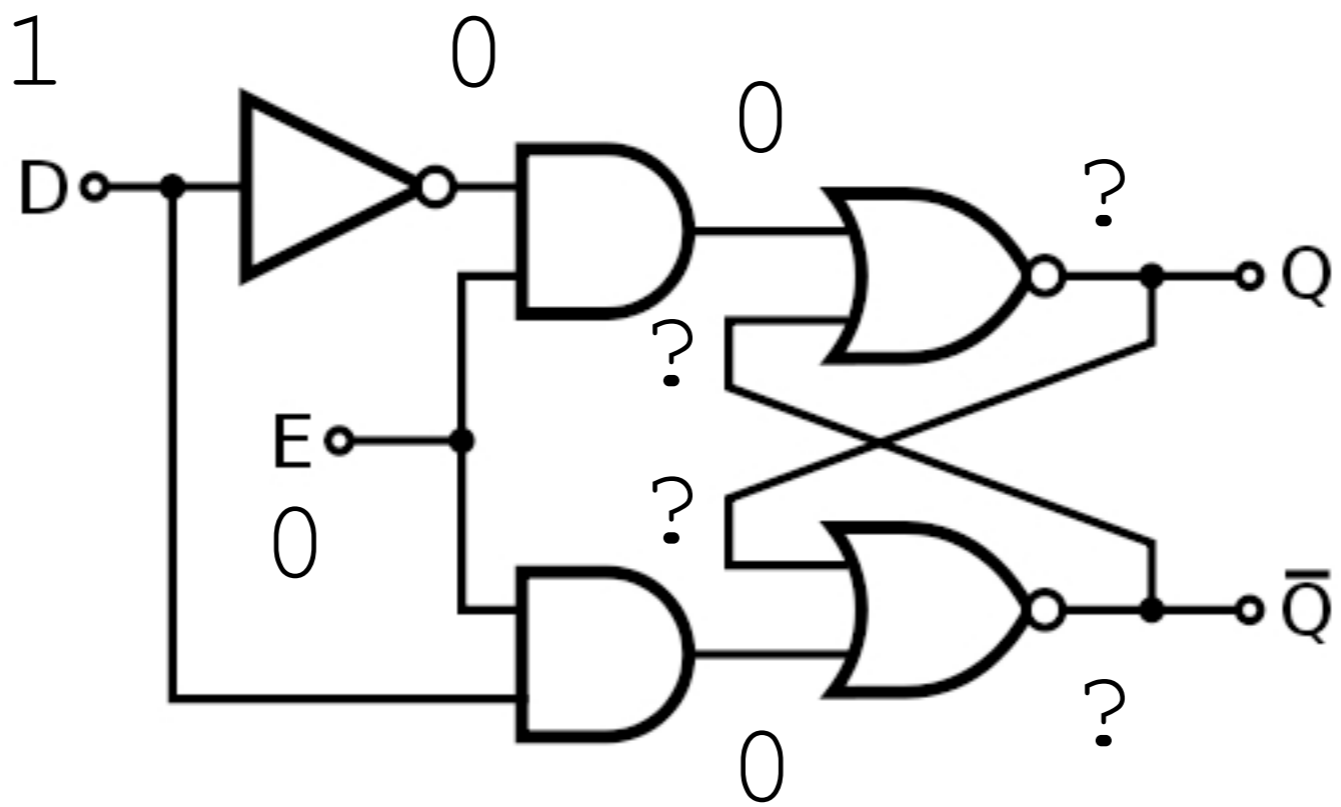




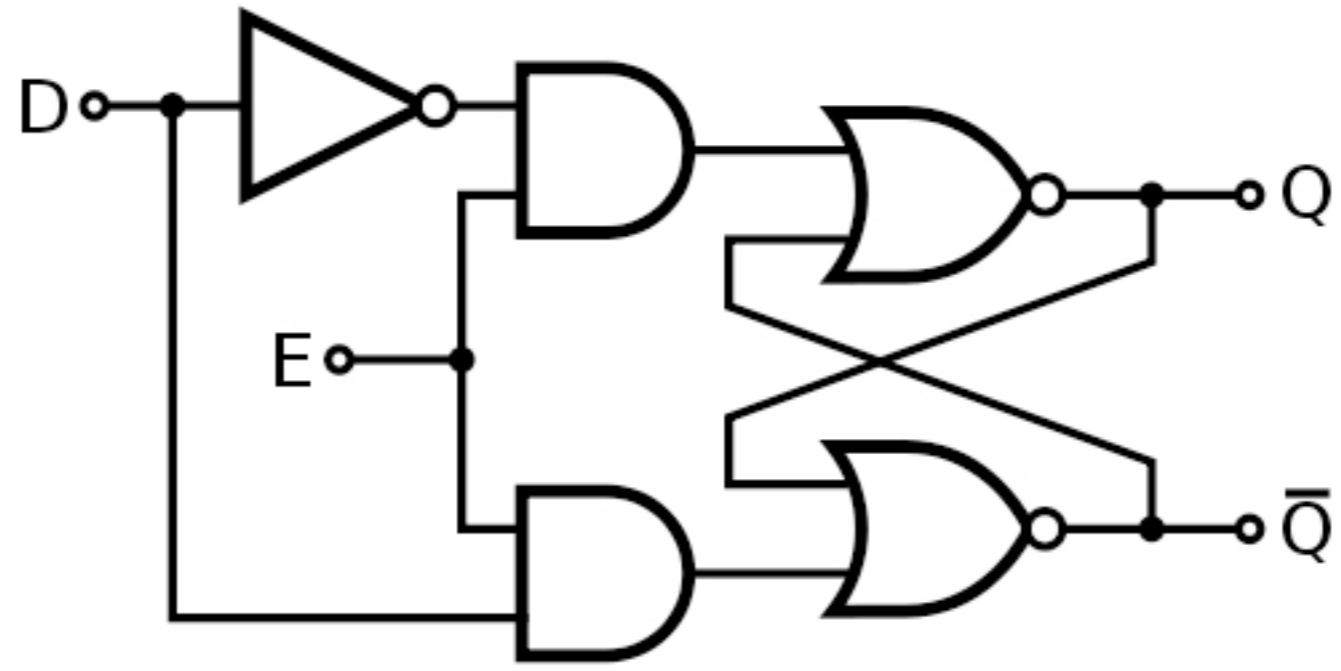


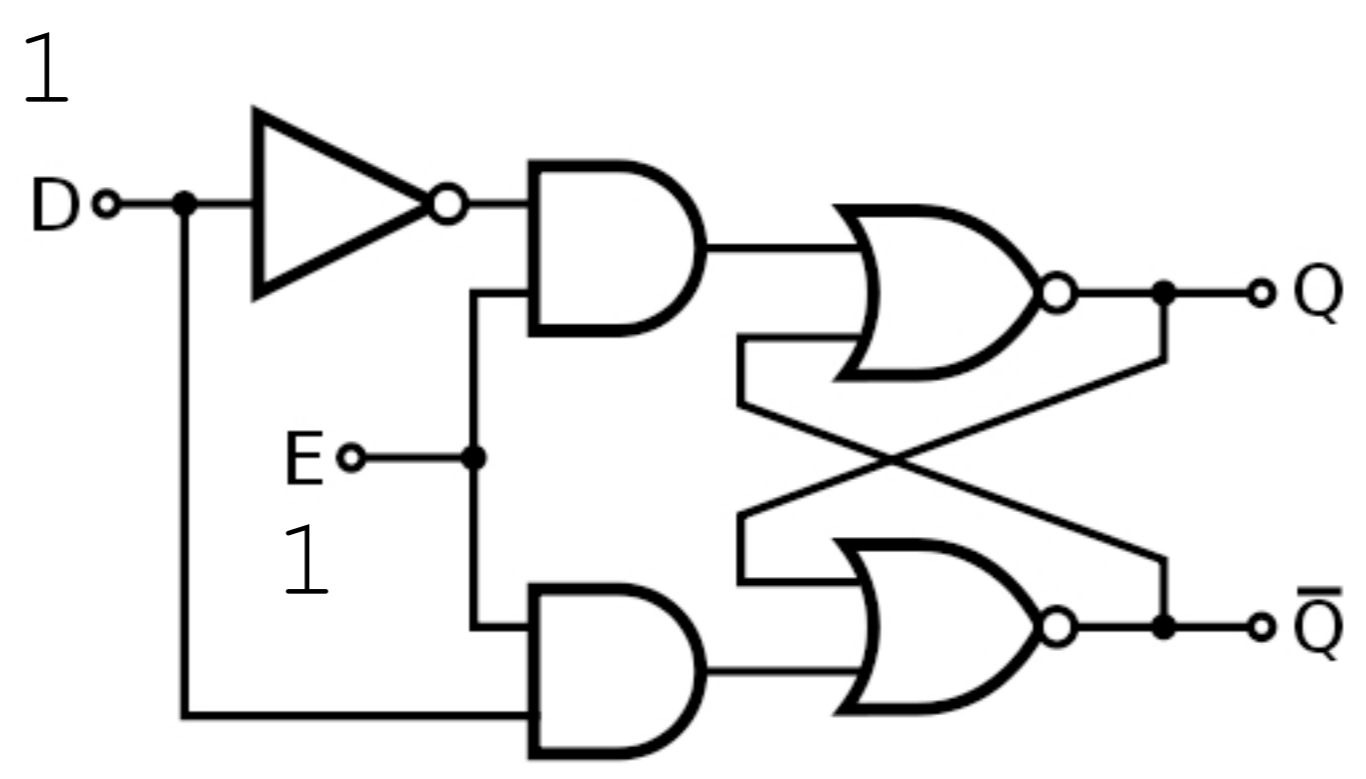


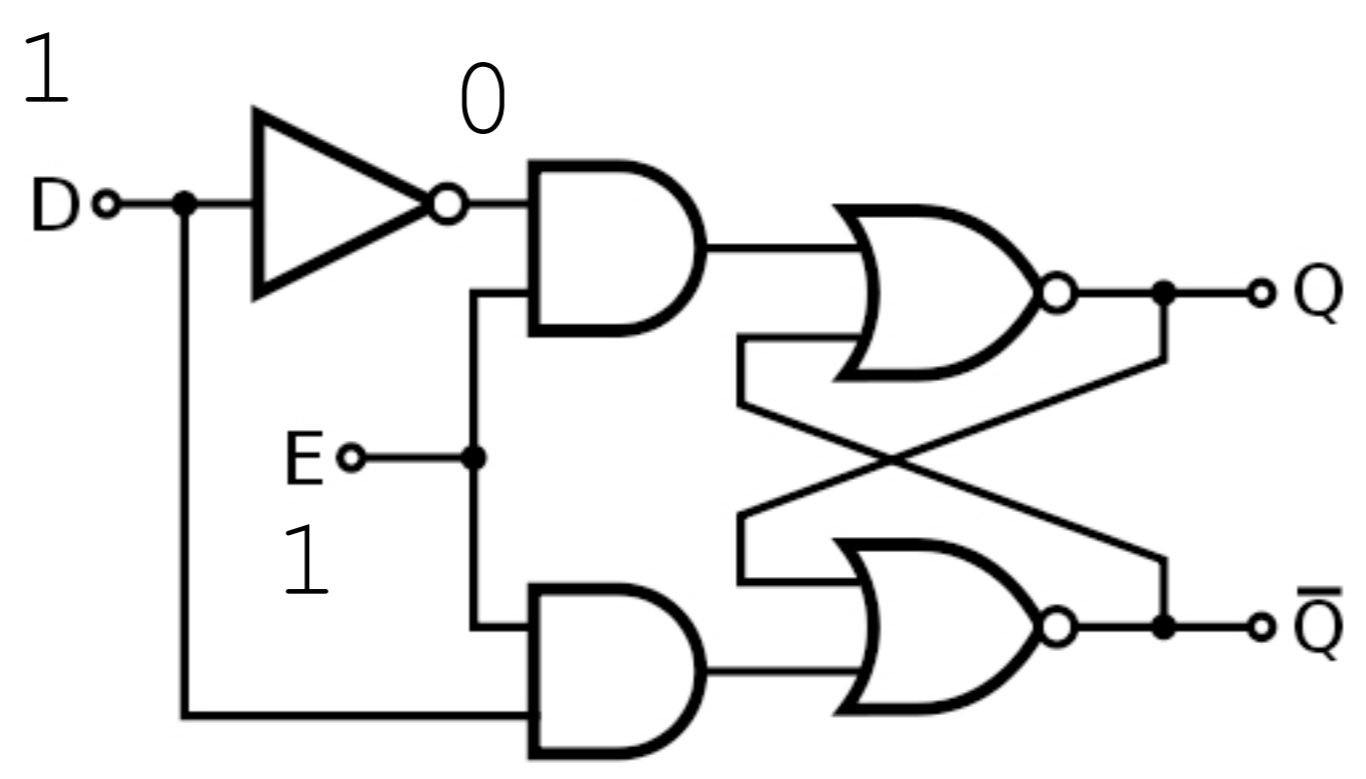


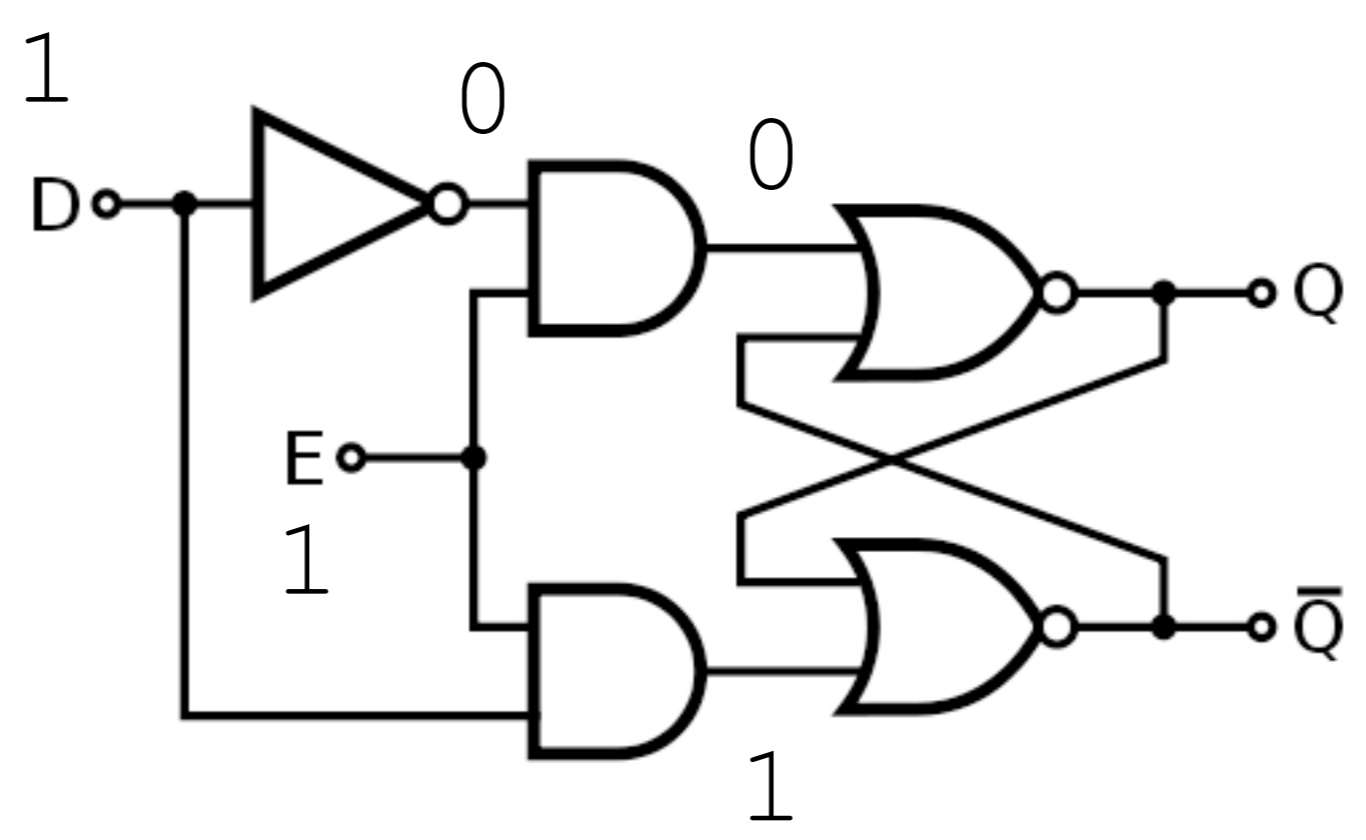


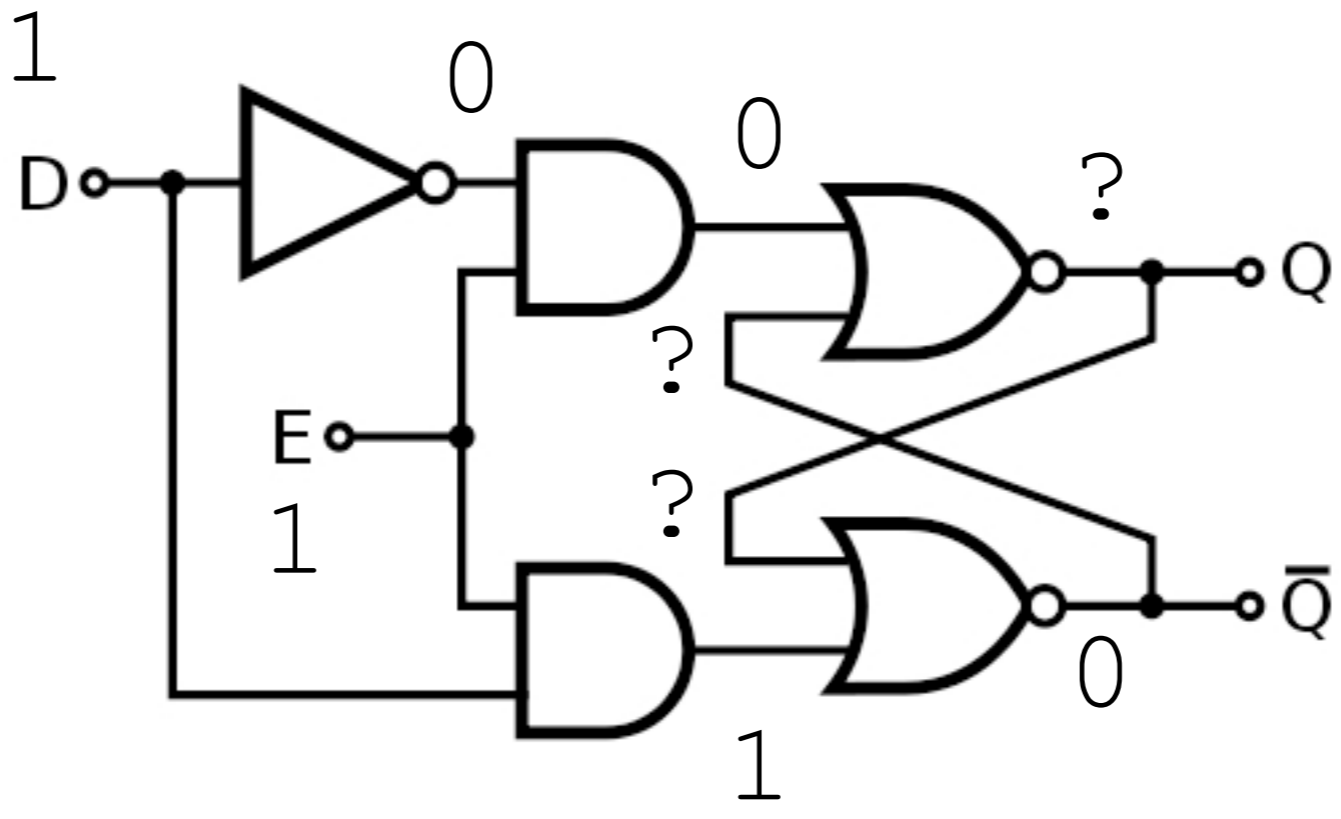
D: 1, Clock: 1

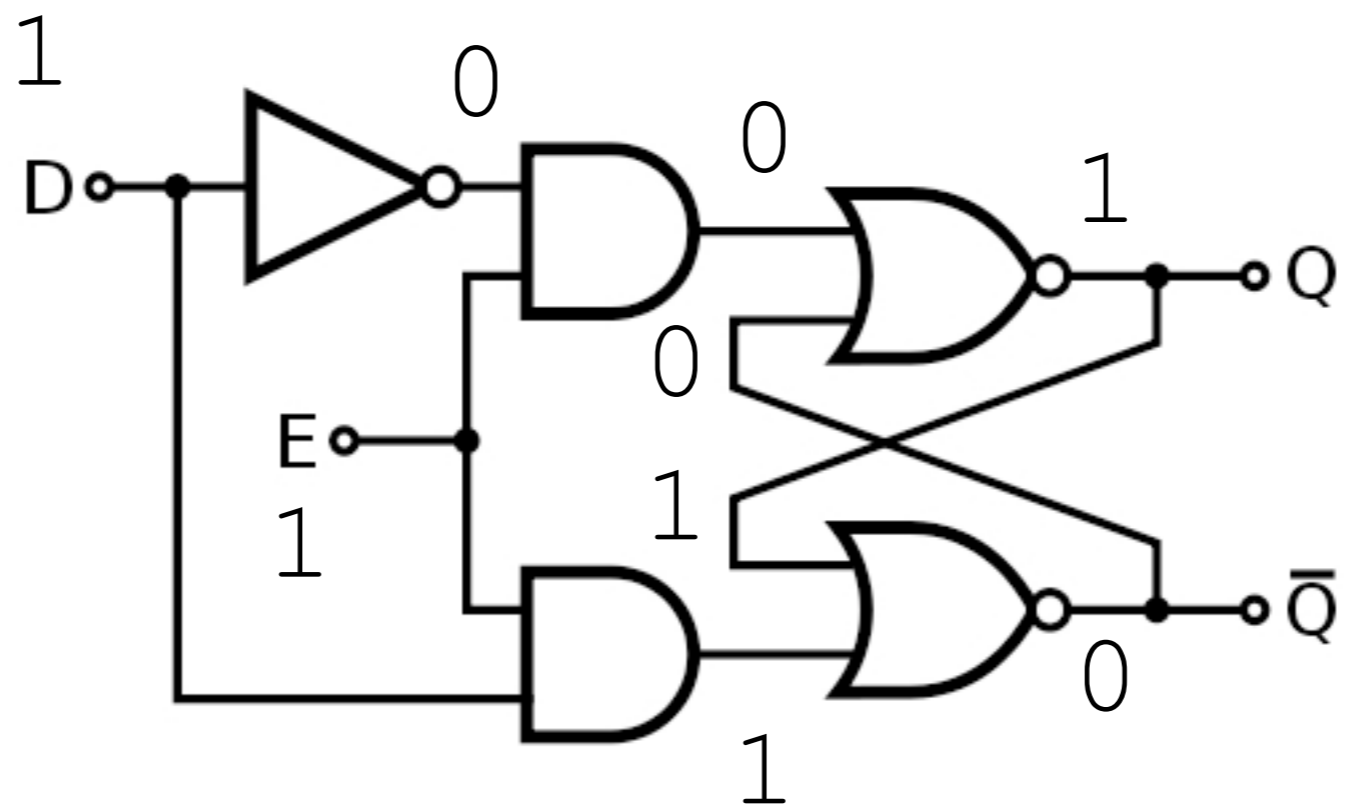






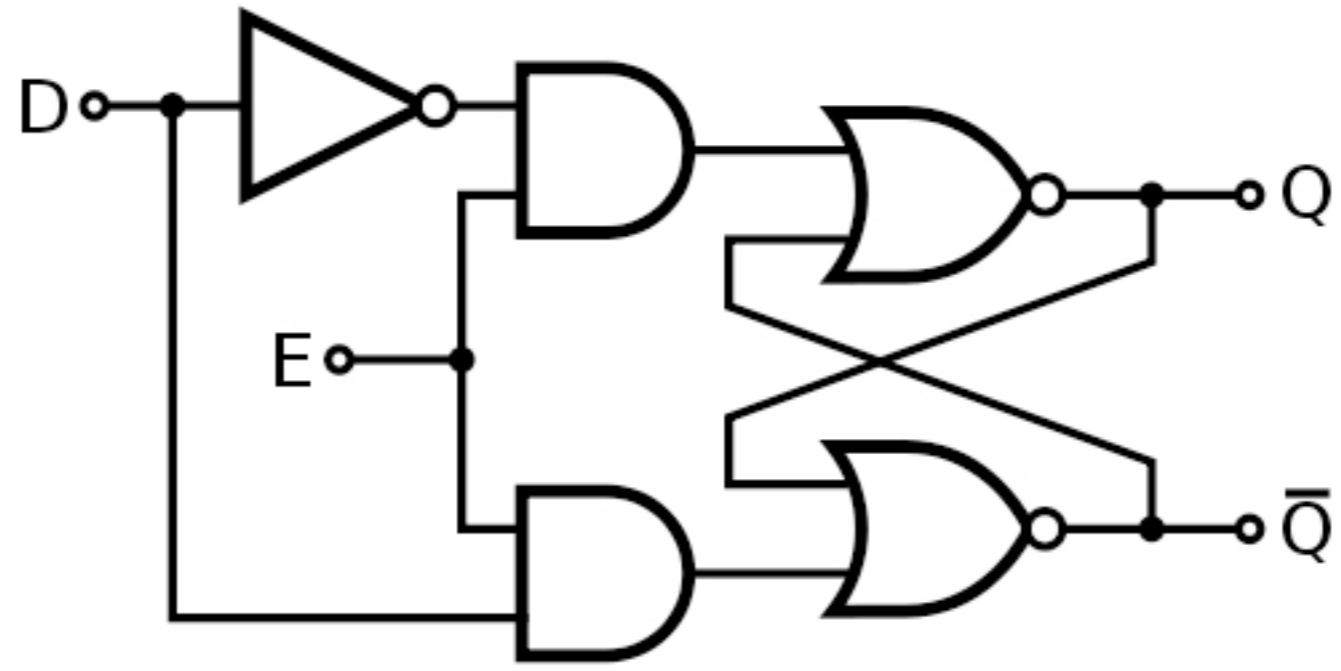


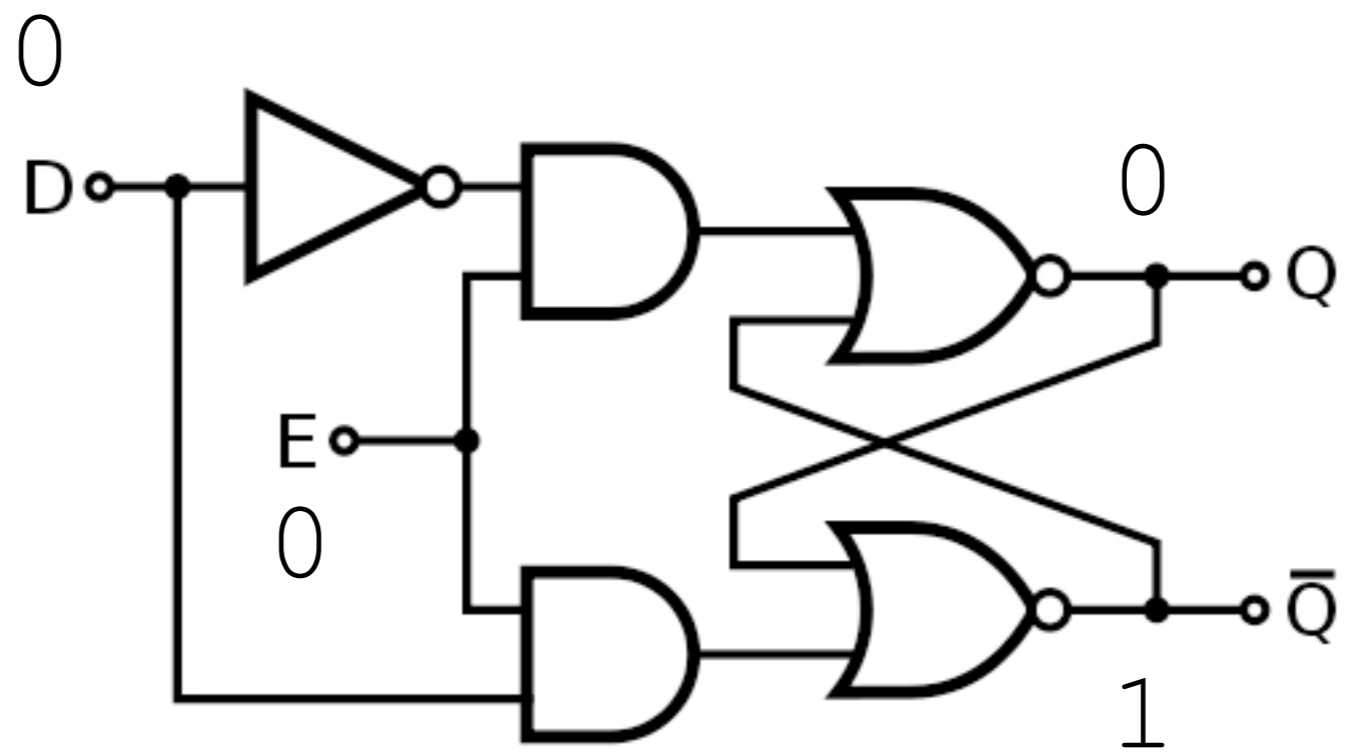


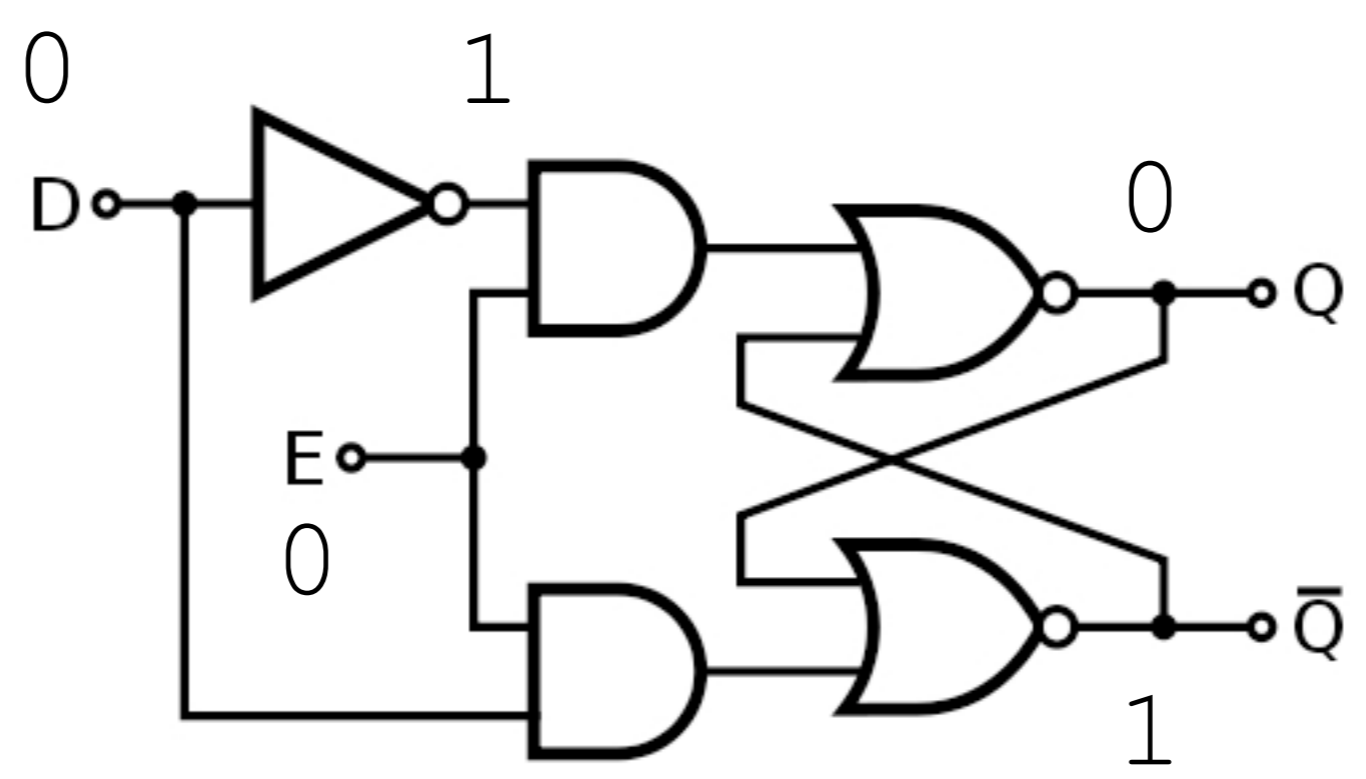


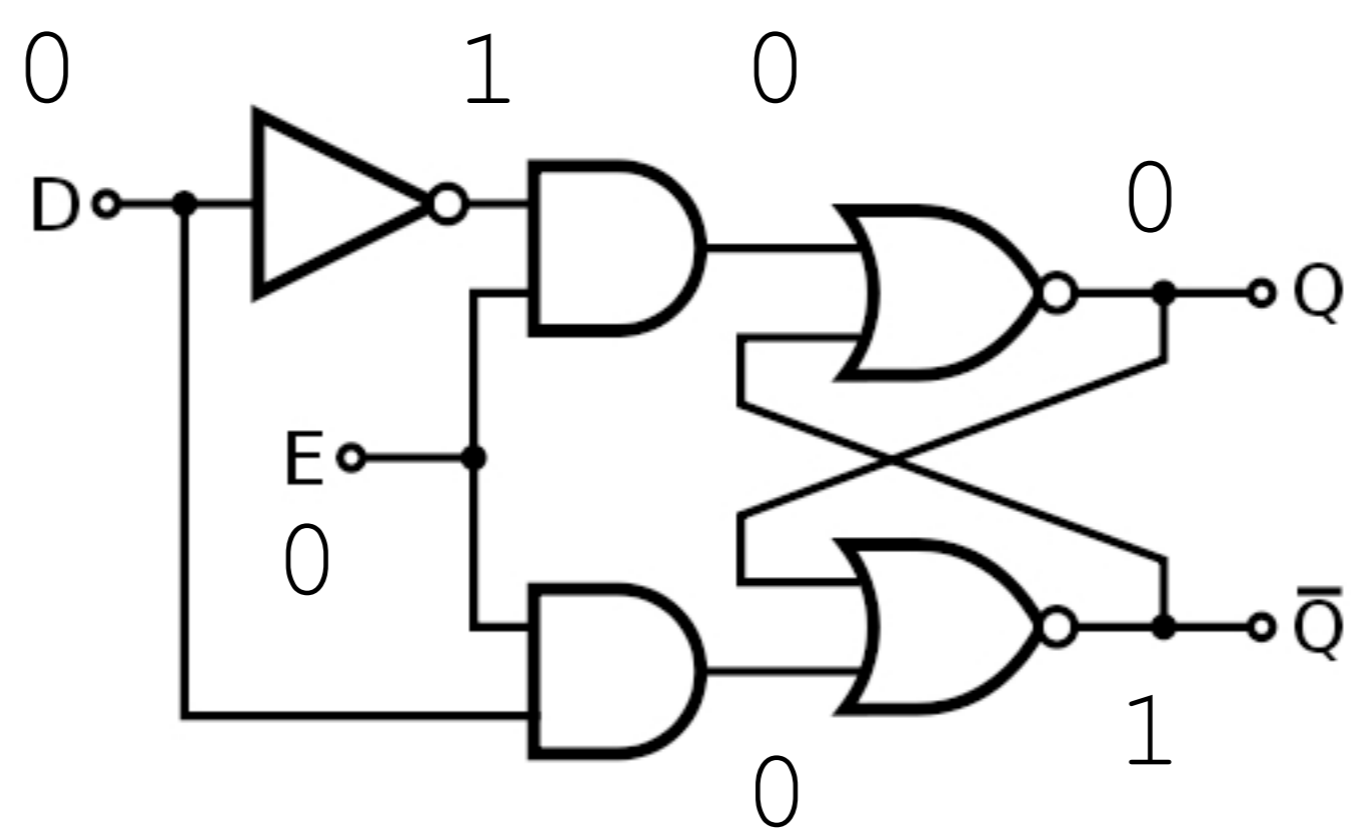
With Given States

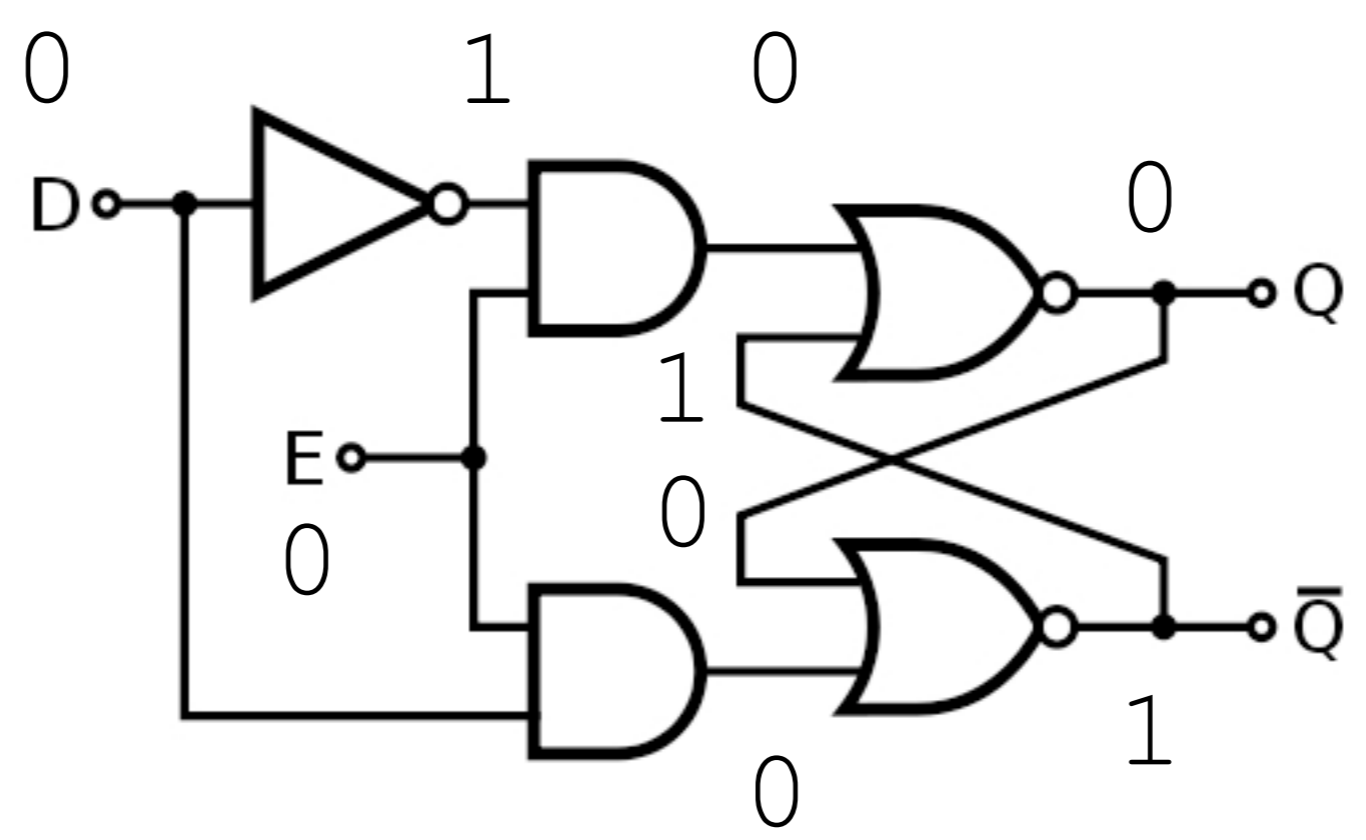
D: 0, Clock: 0, Q: 0



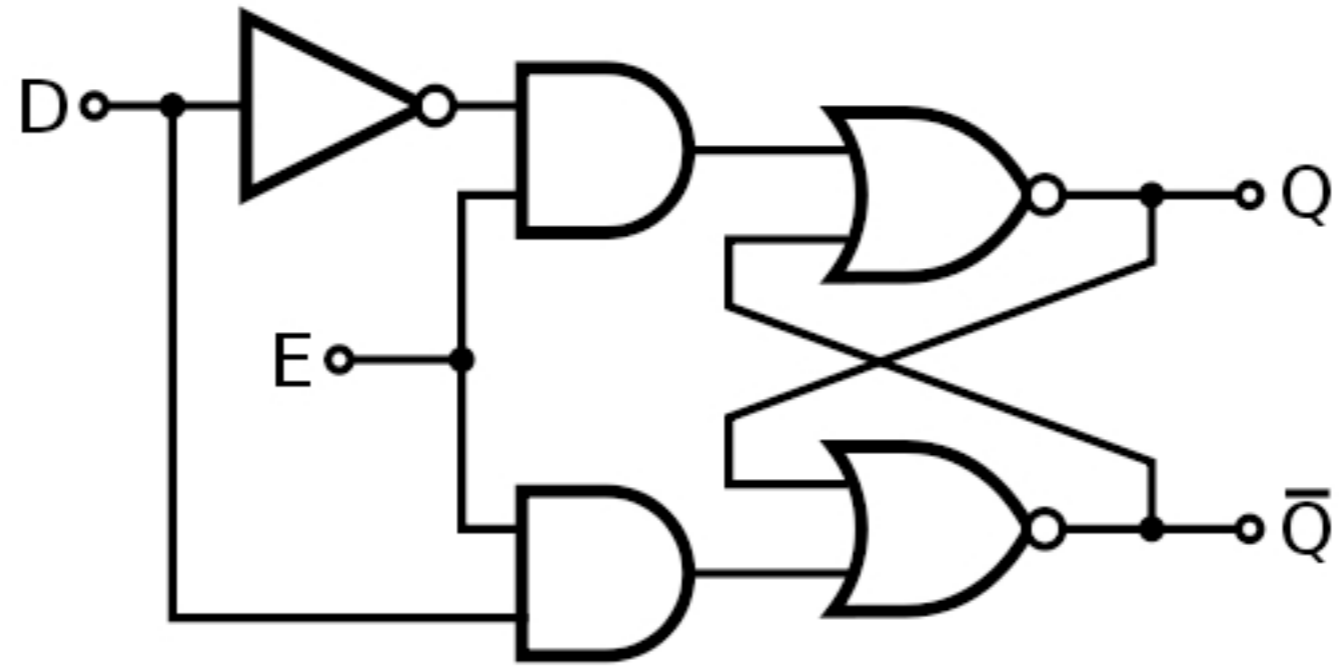


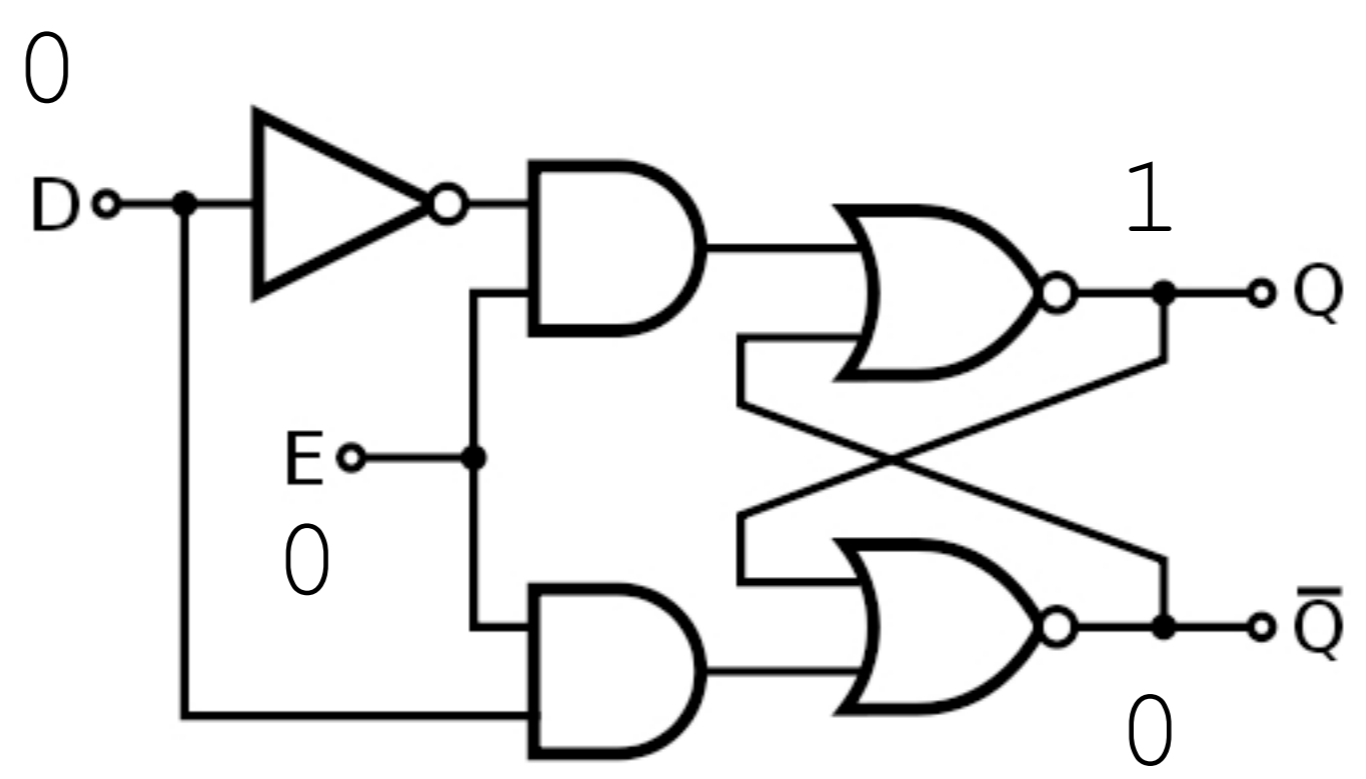


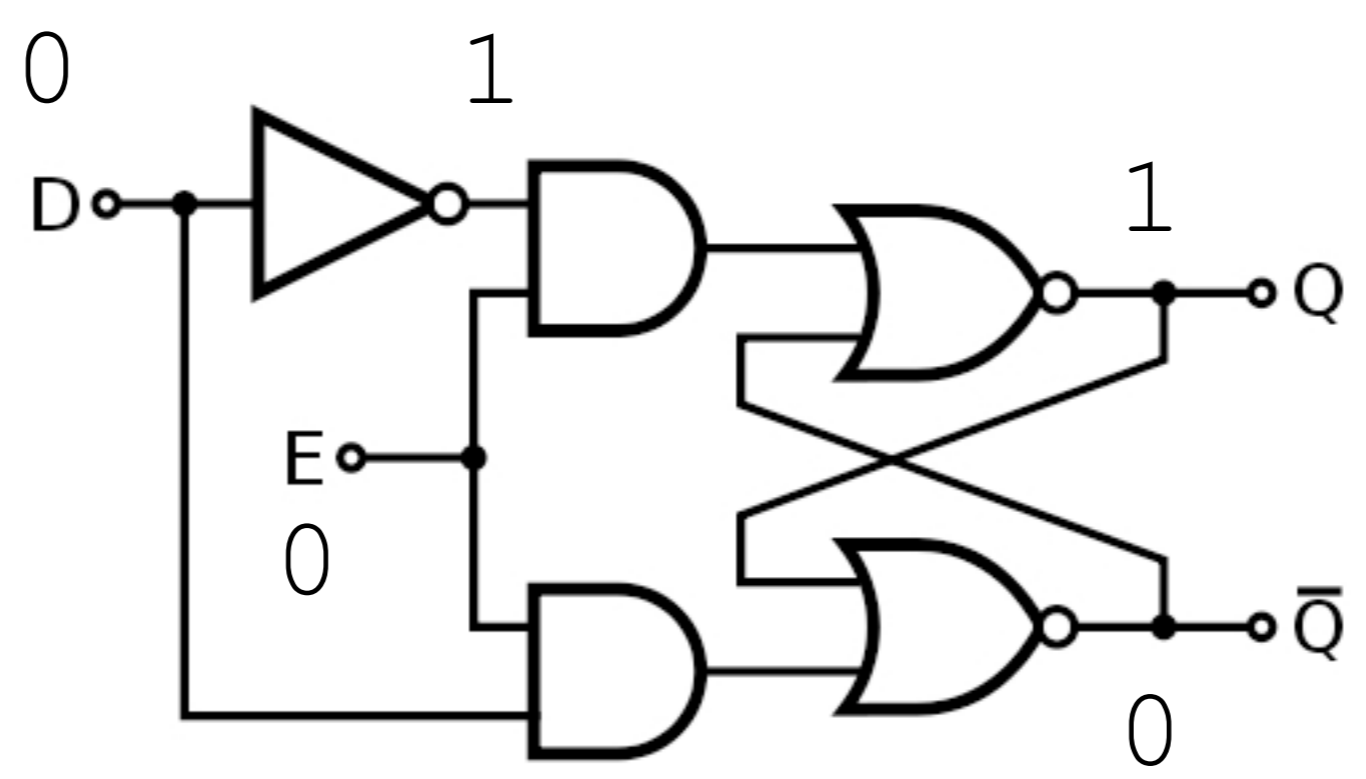


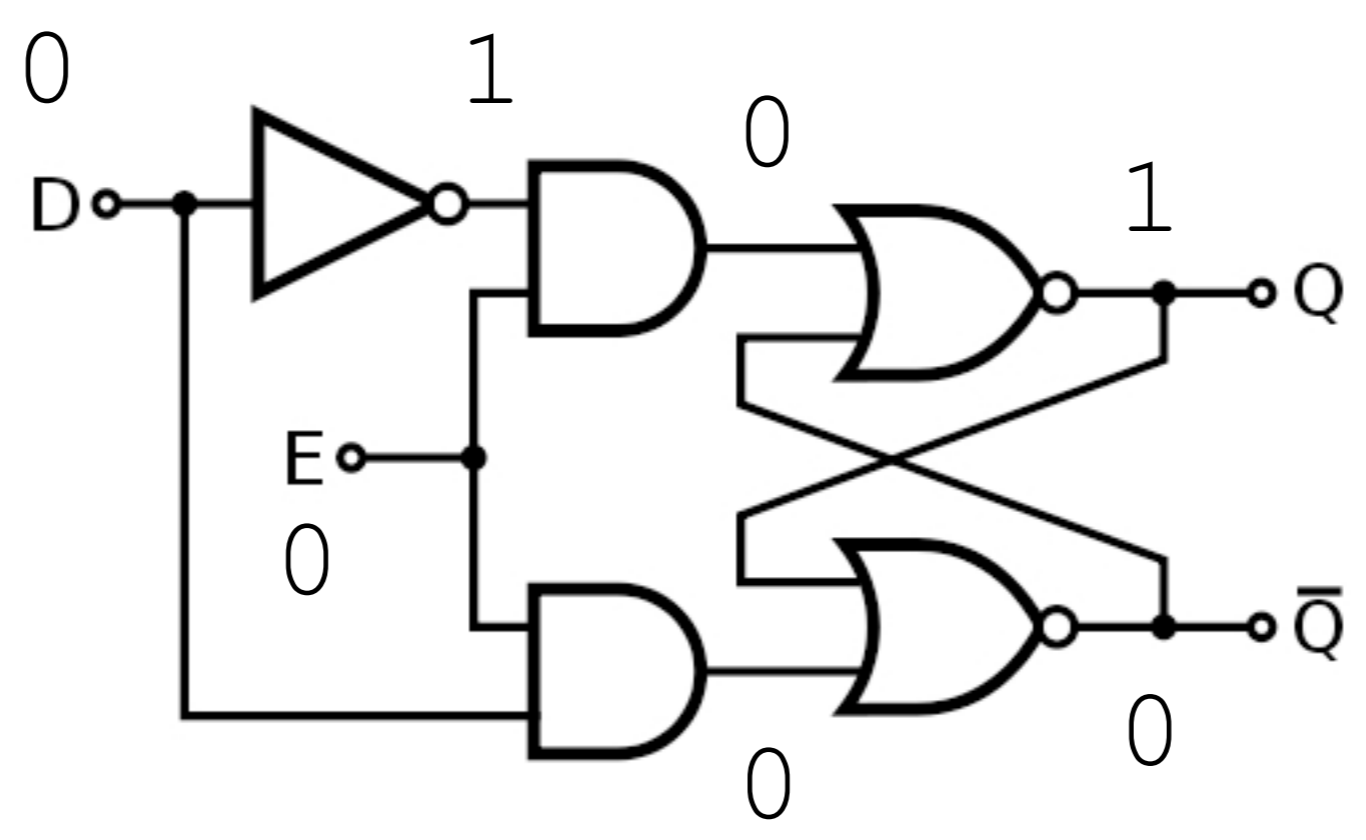


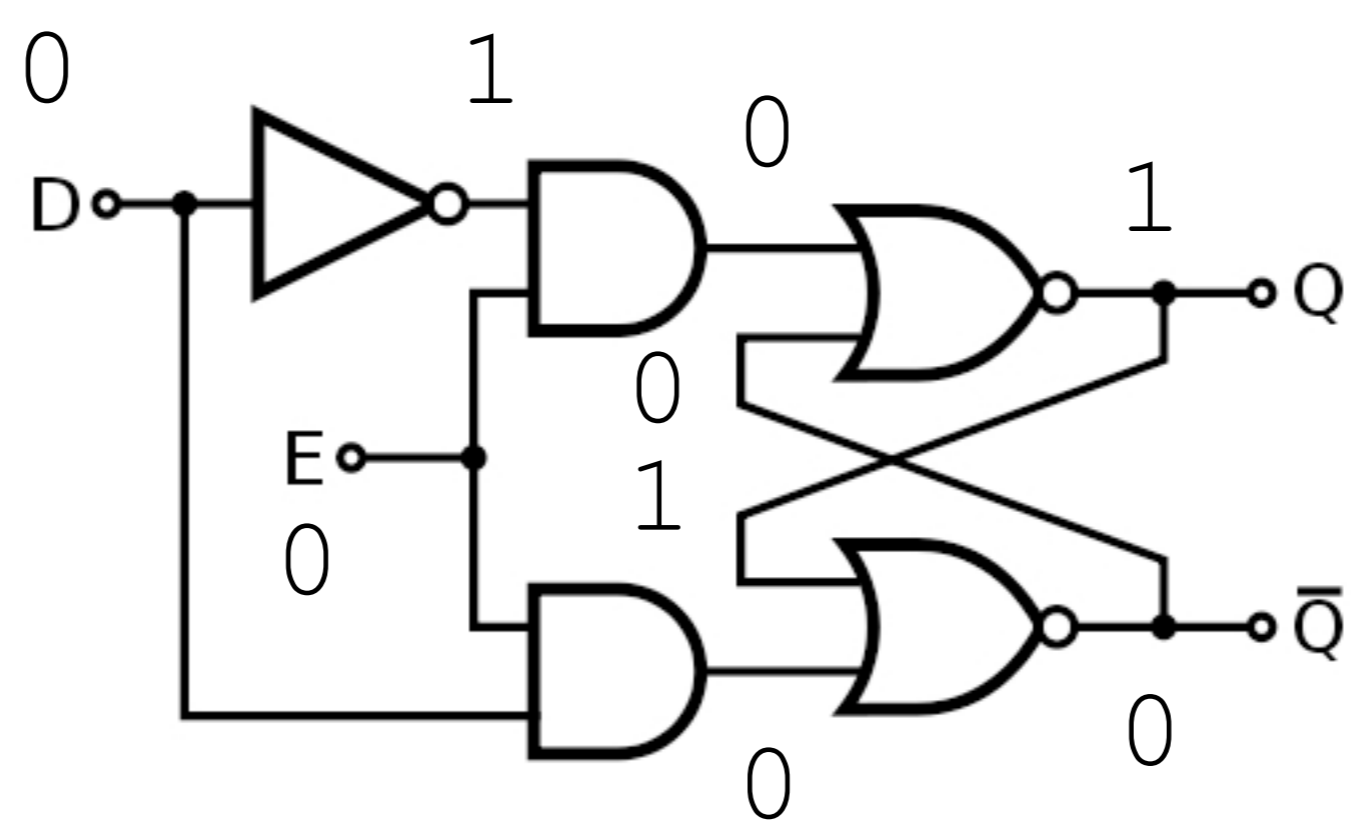
D: 0, Clock: 0, Q: 1



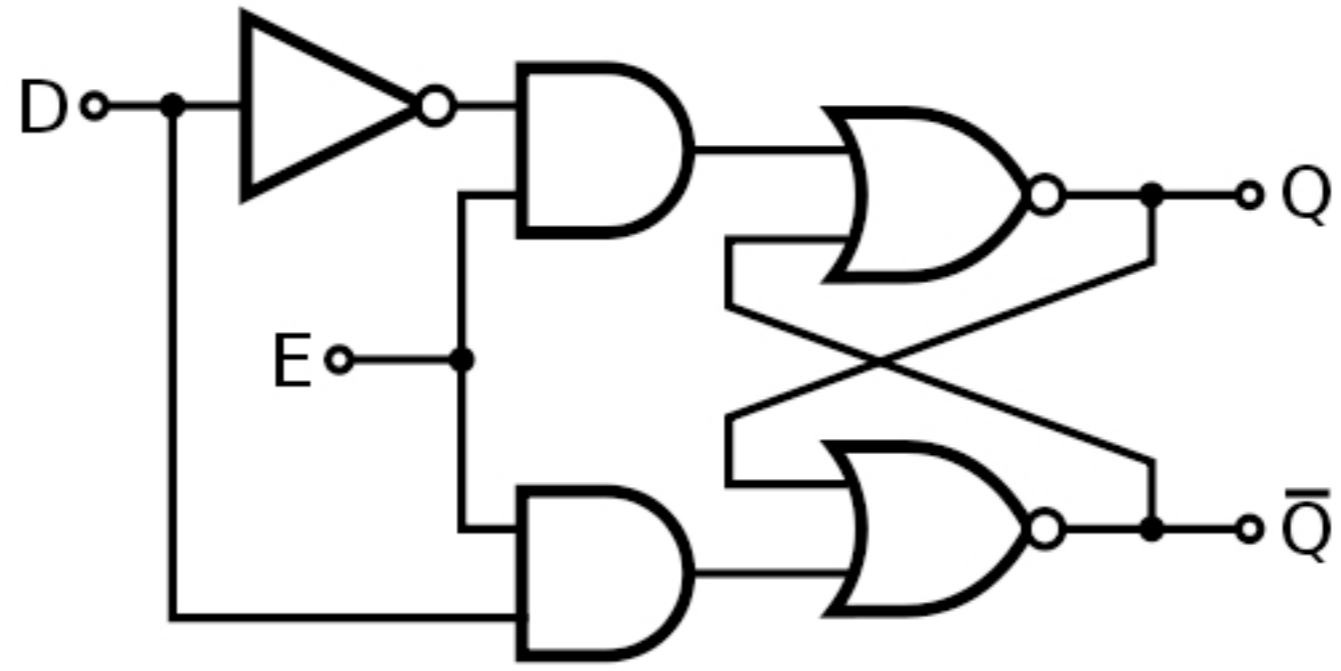


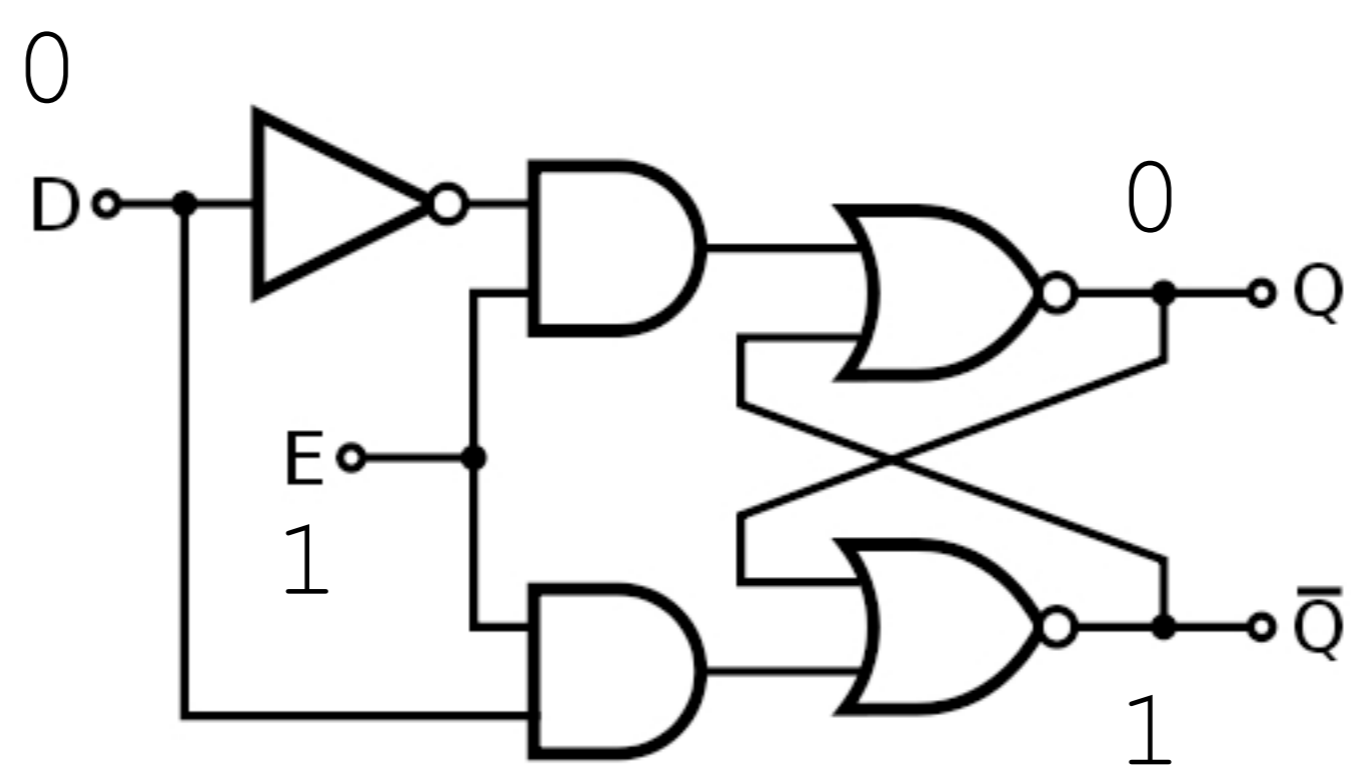


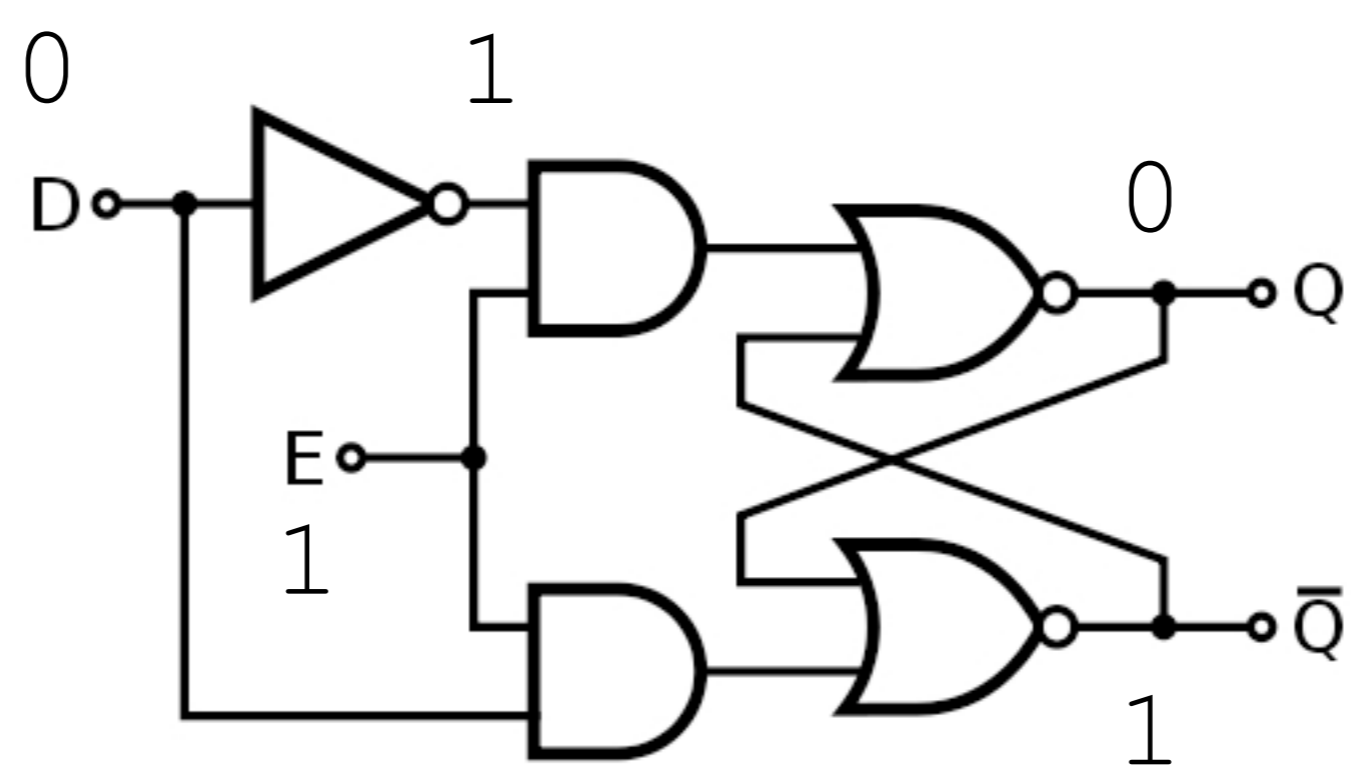


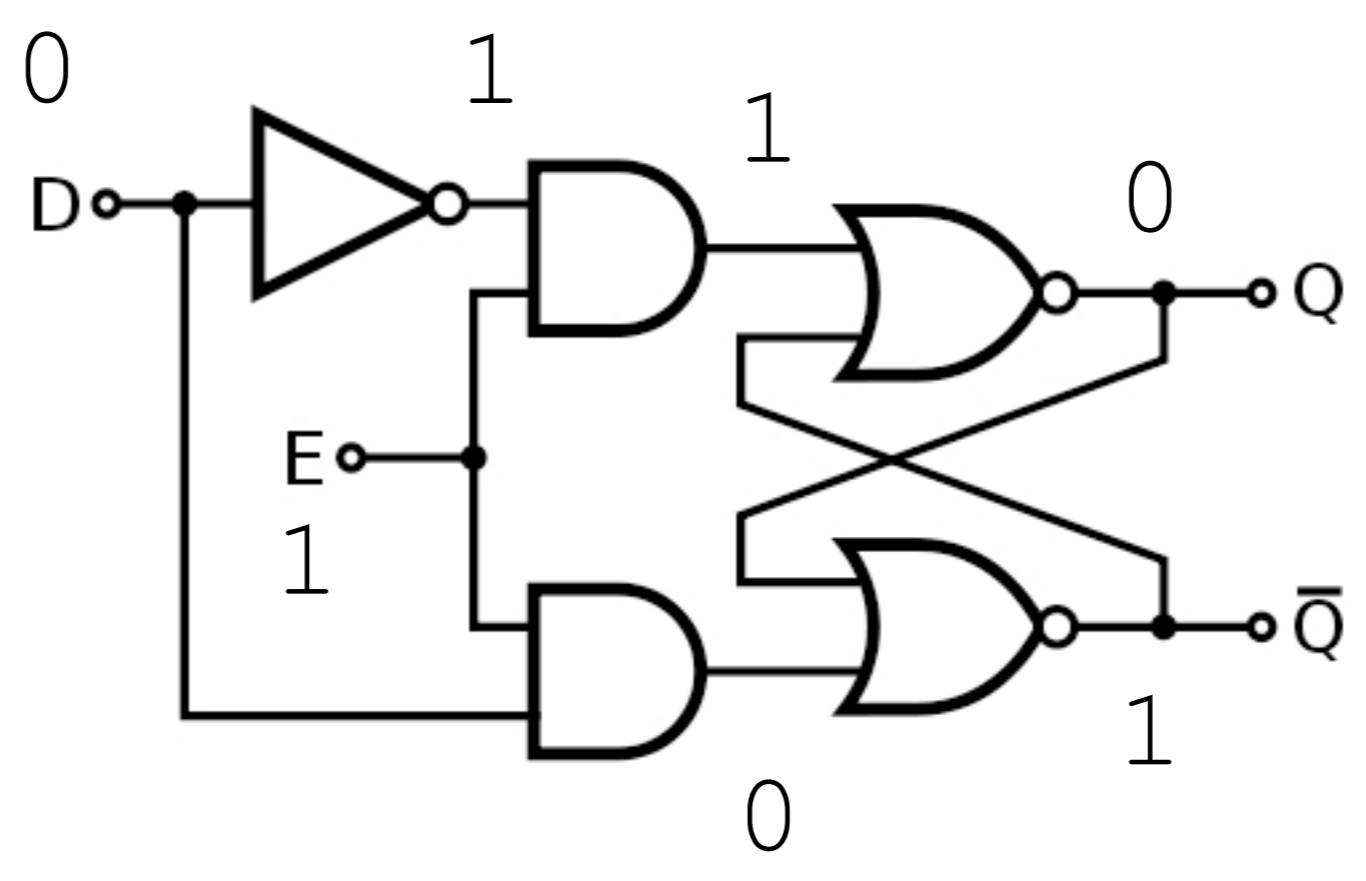


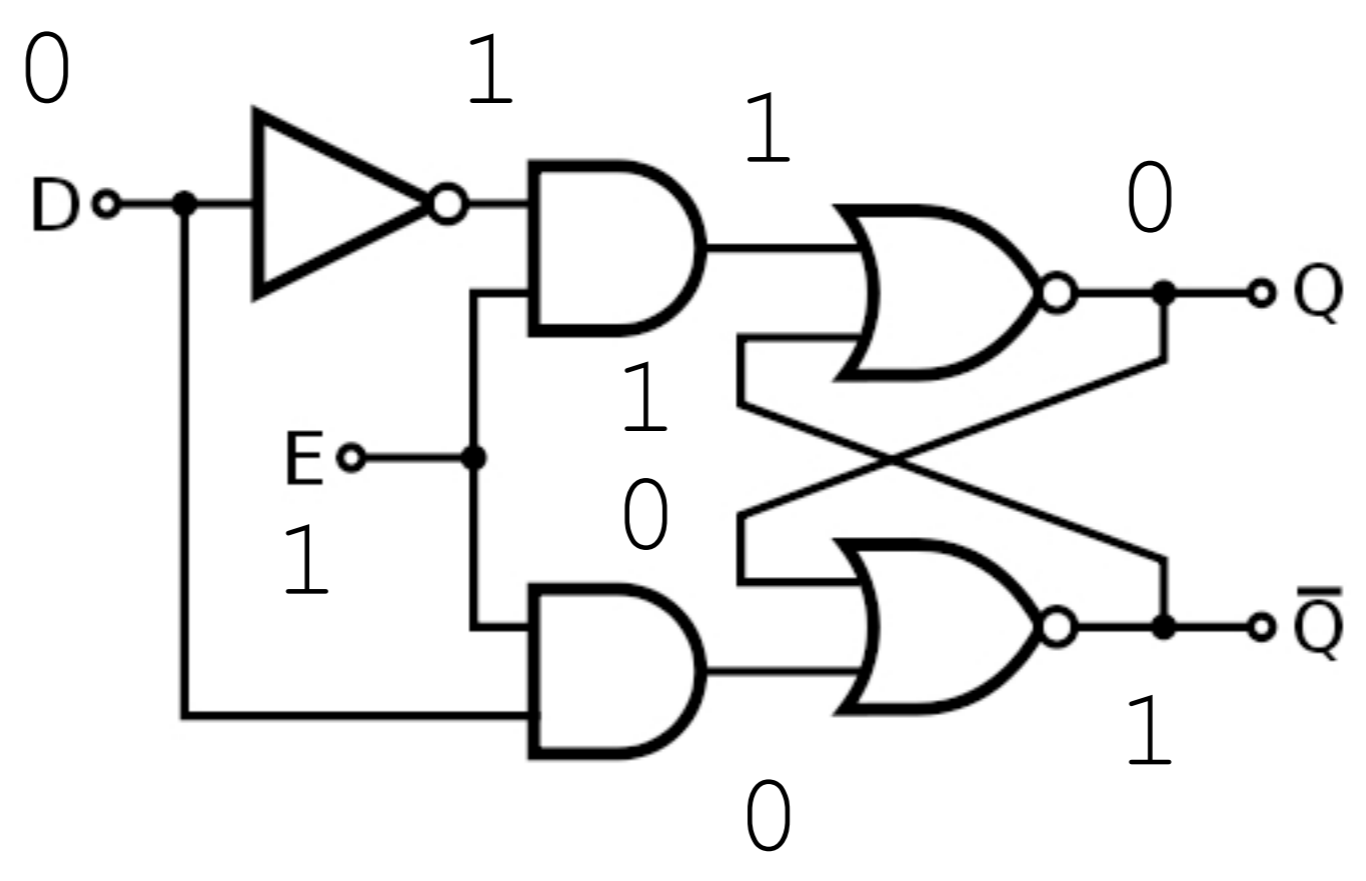
D: 0, Clock: 1, Q: 0



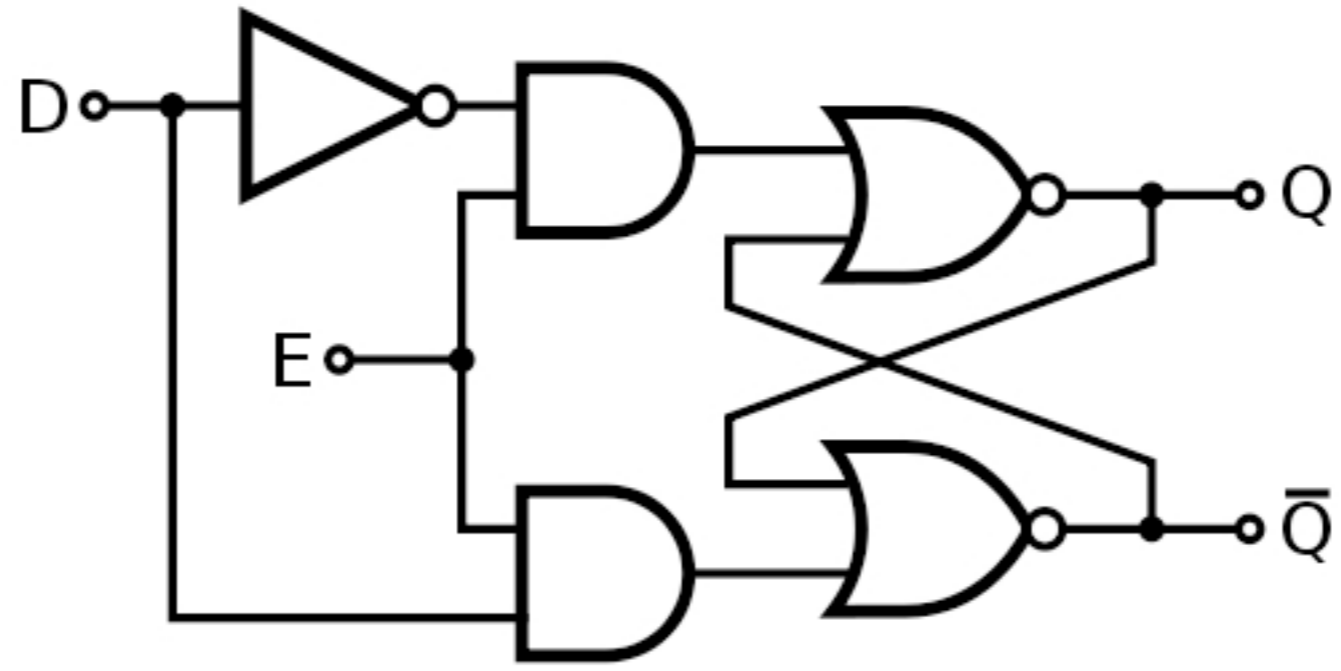


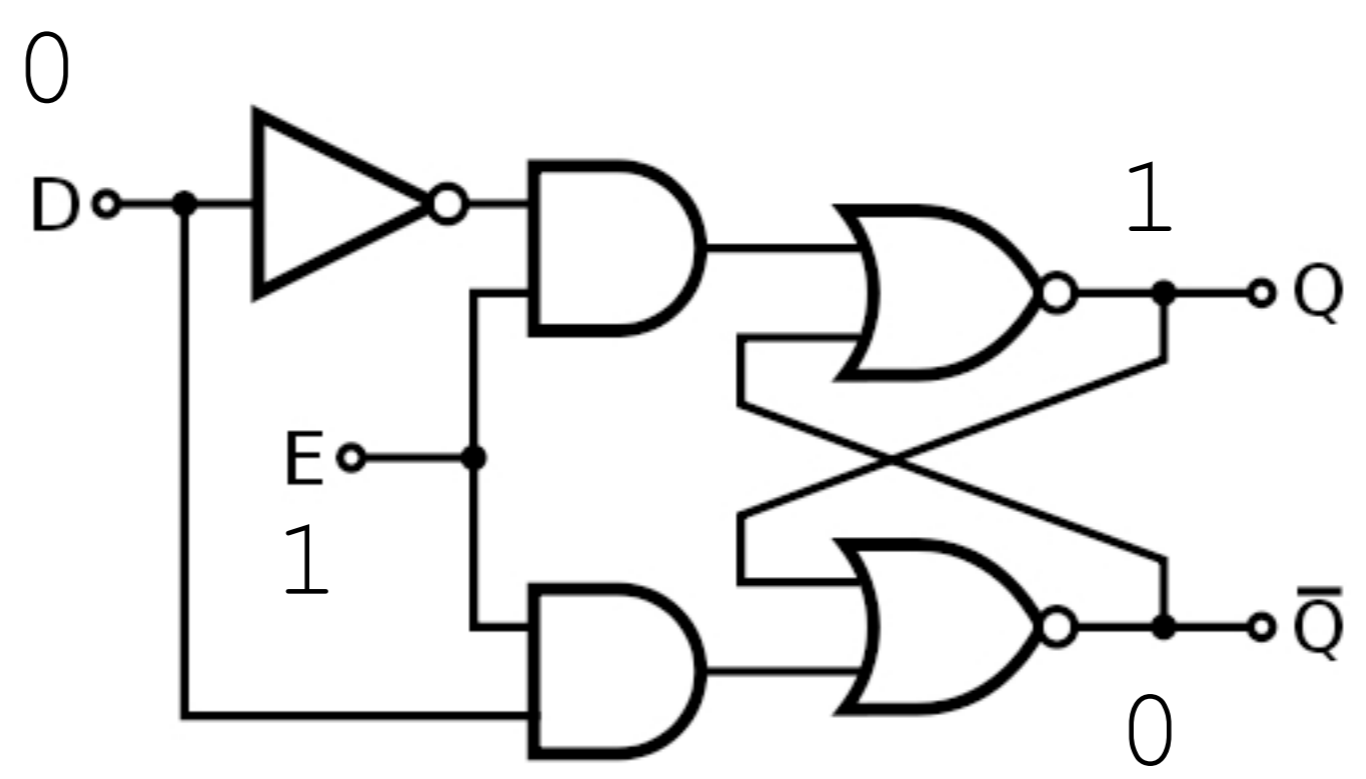


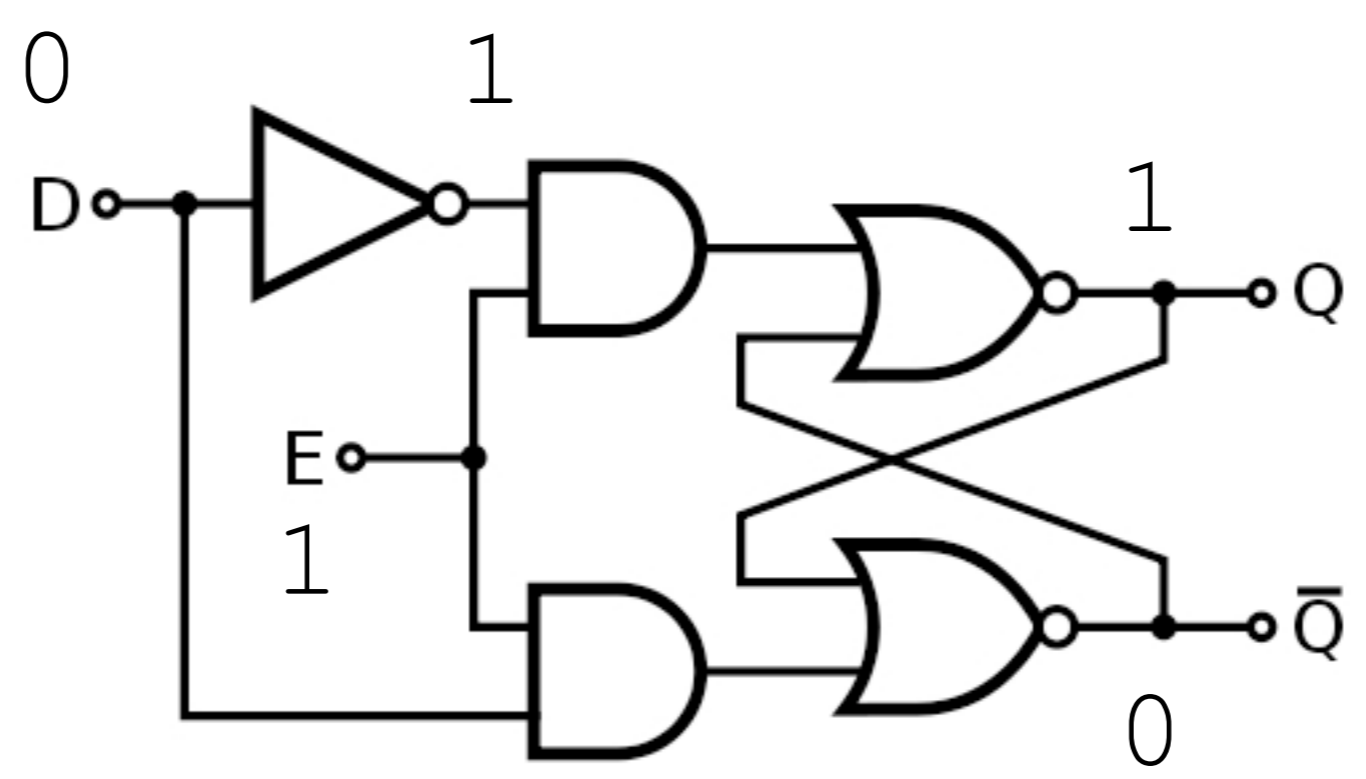


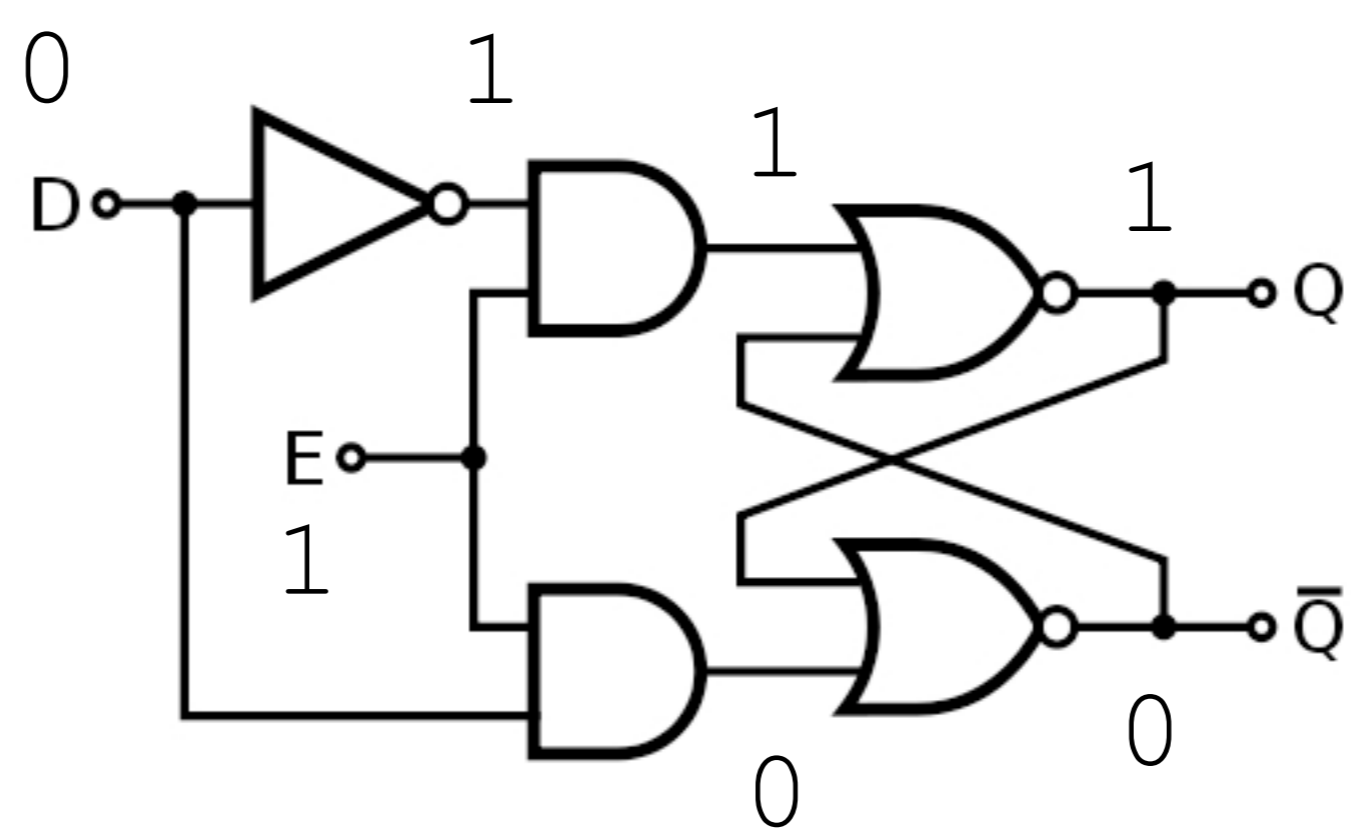


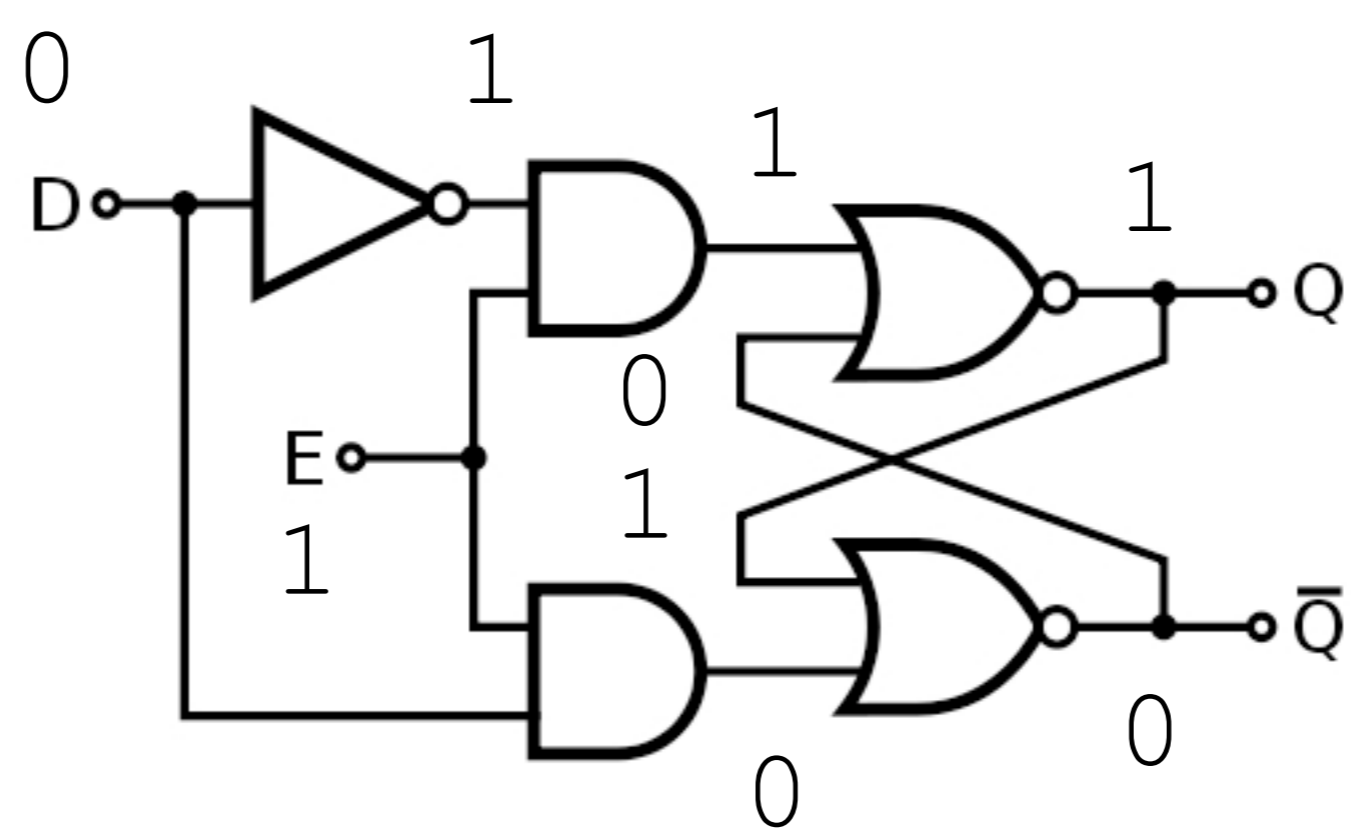
D: 0, Clock: 1, Q: 1

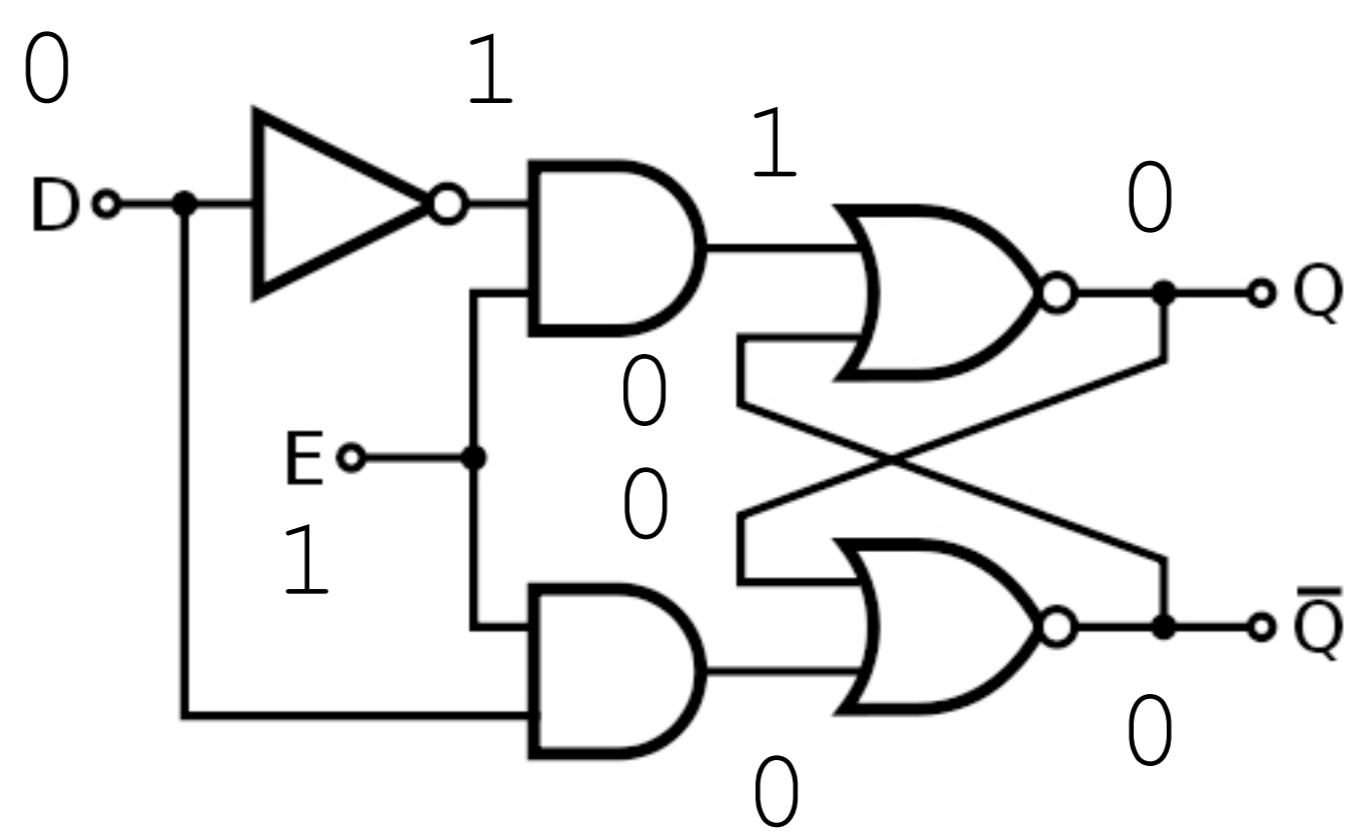


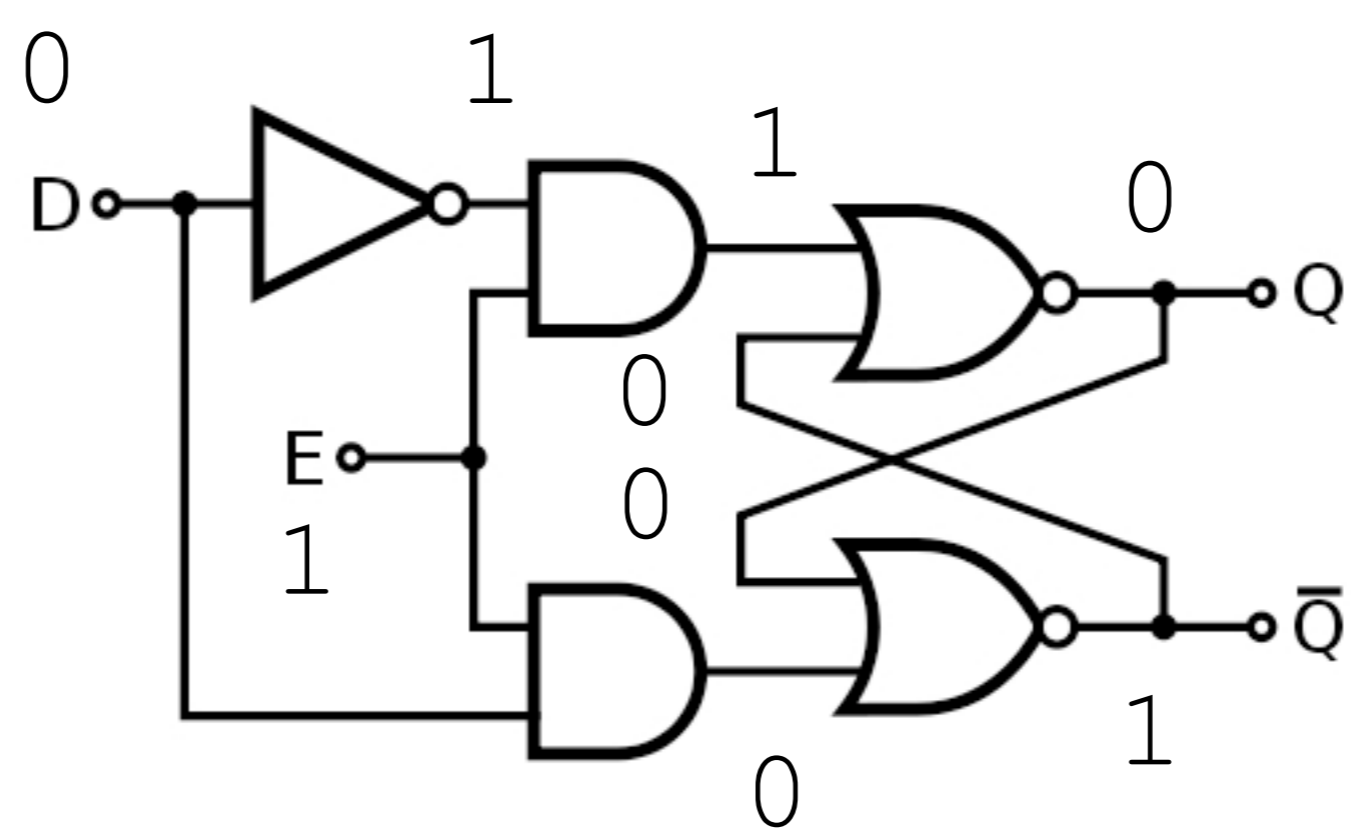


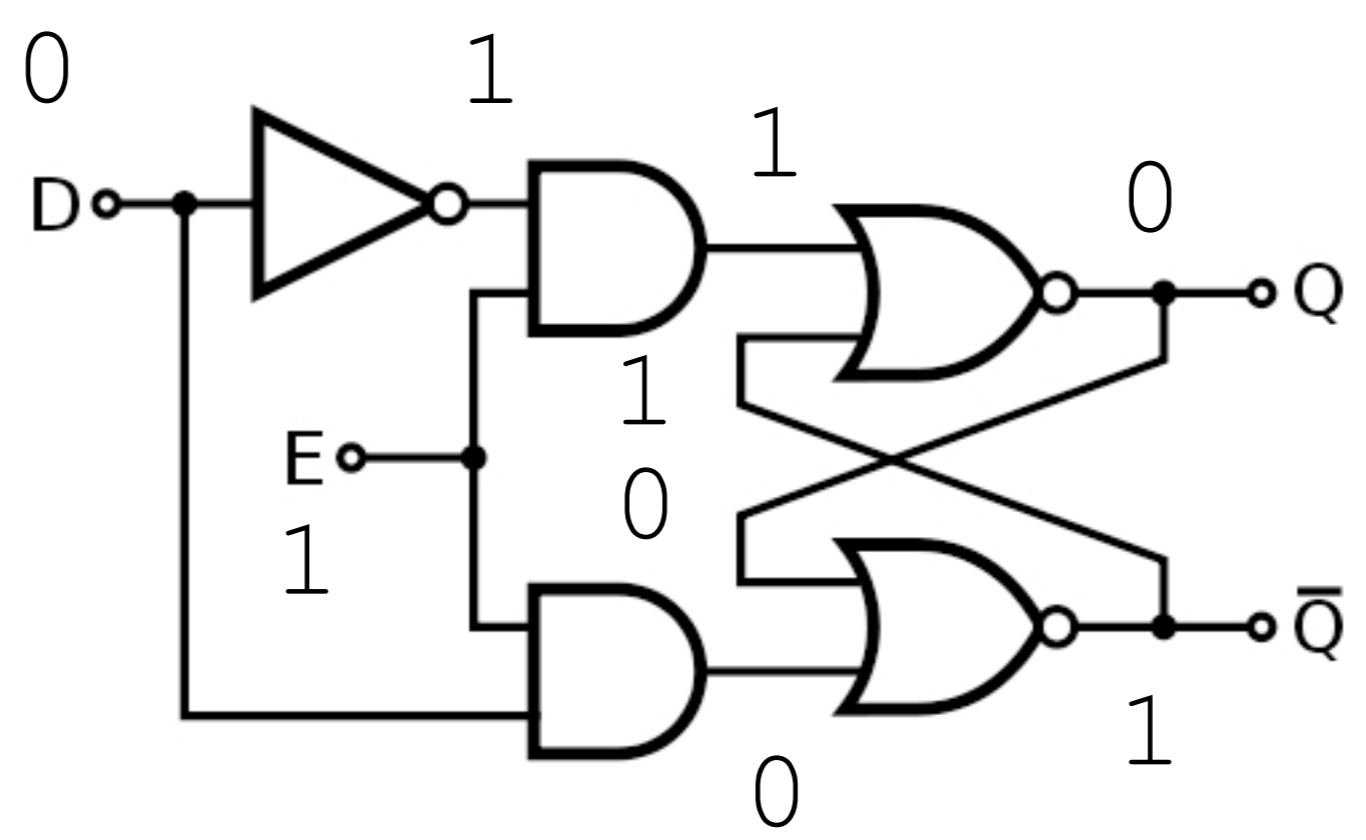




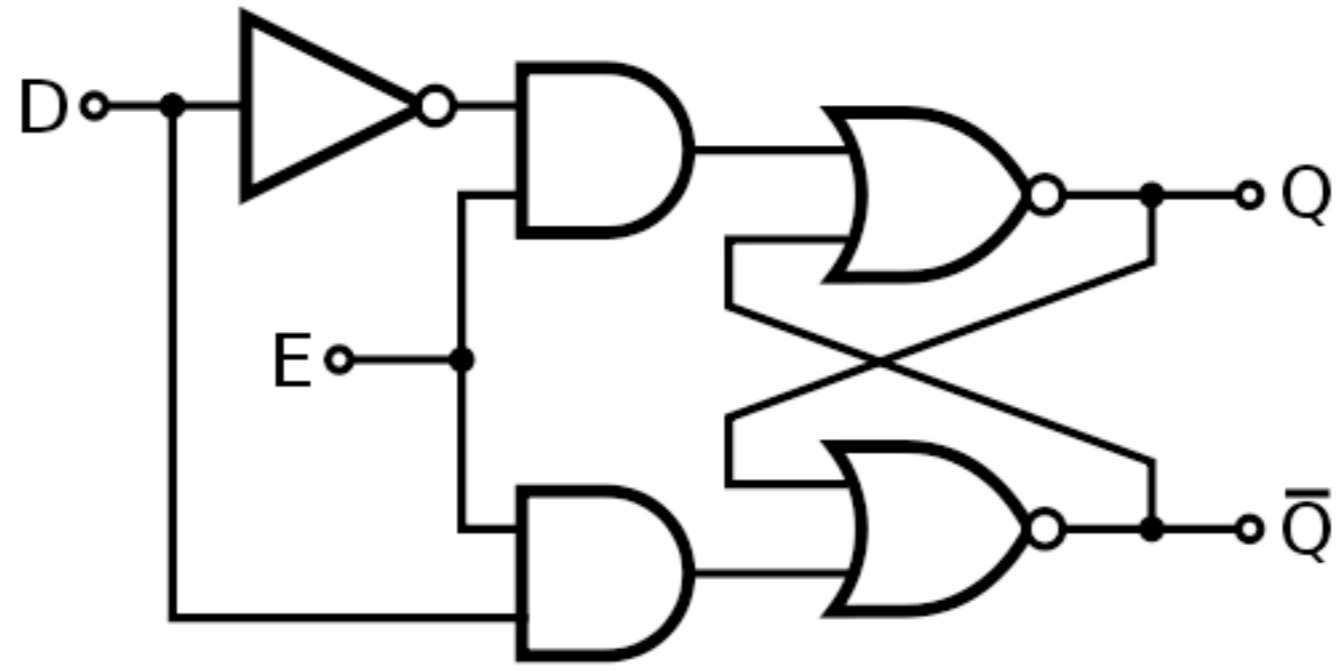


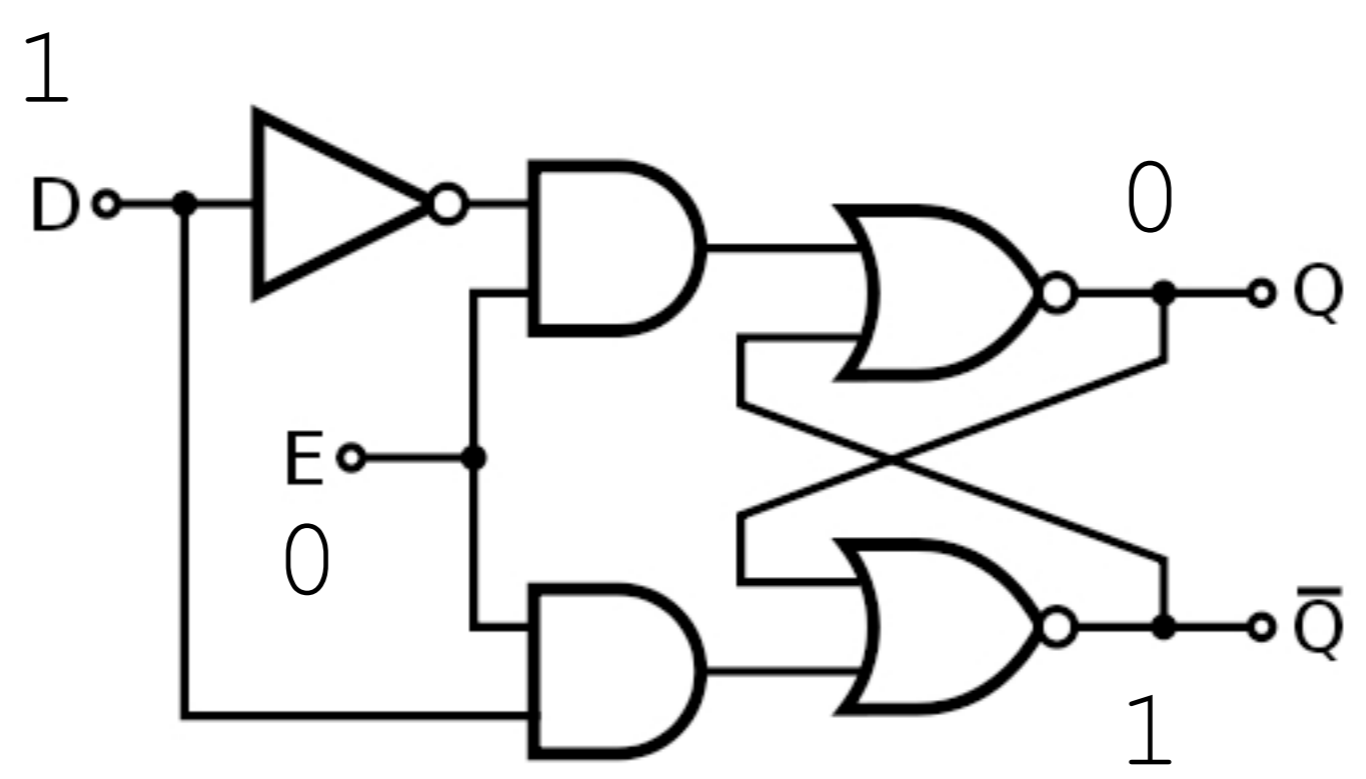


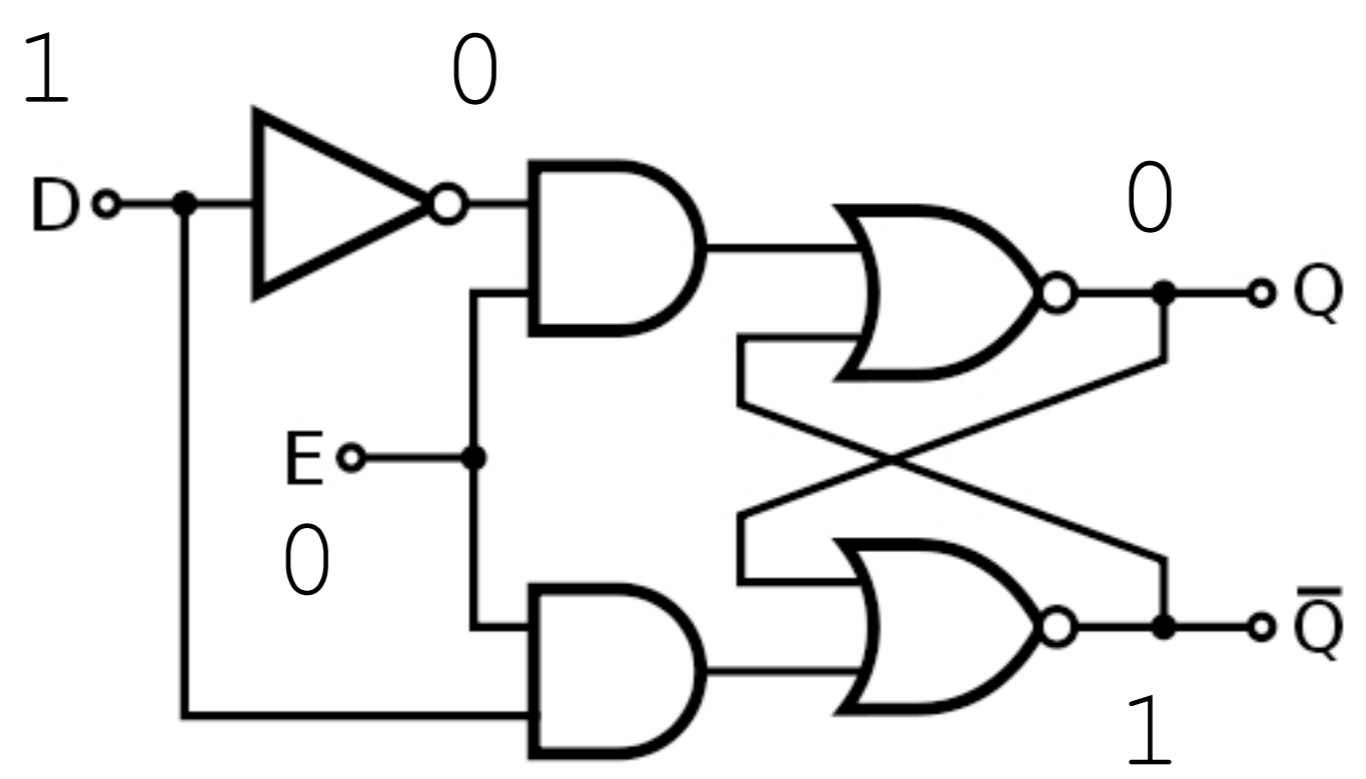


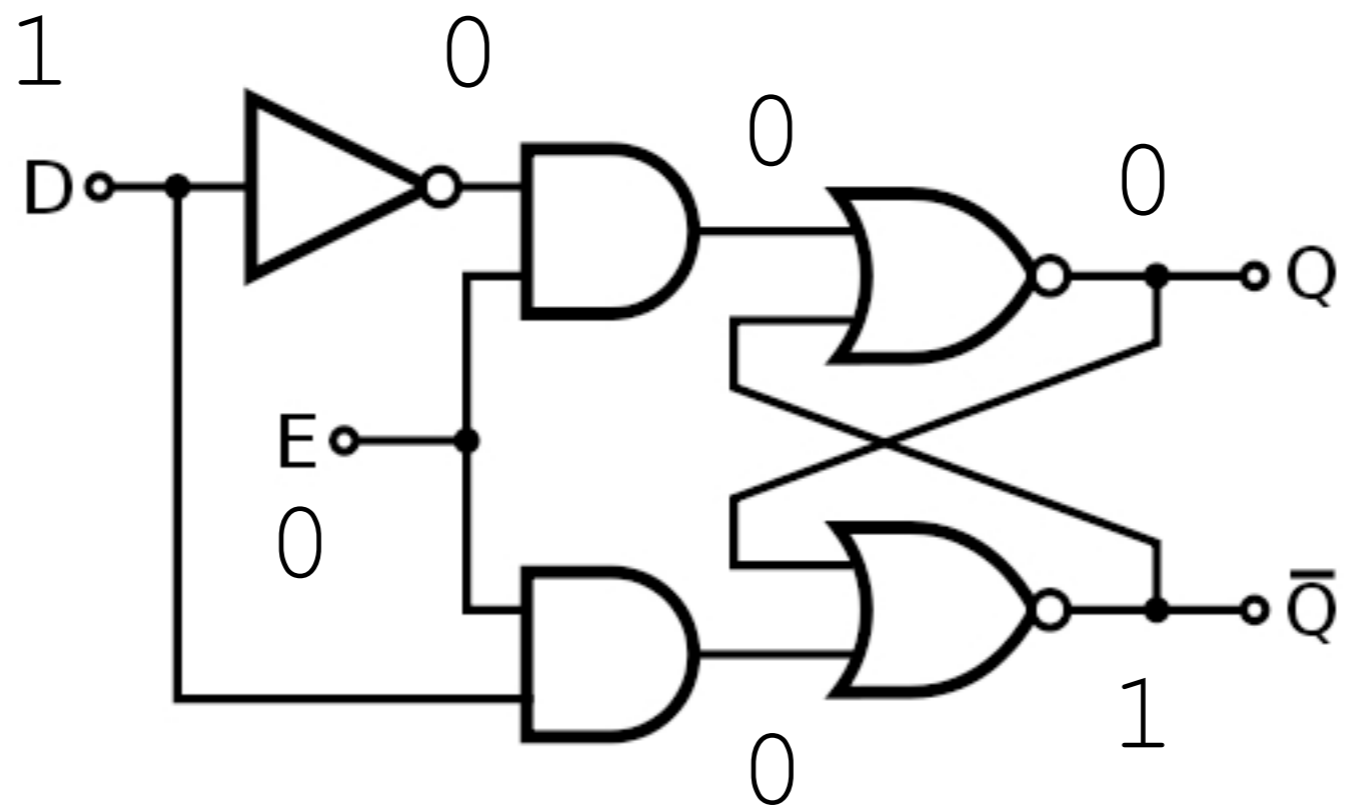


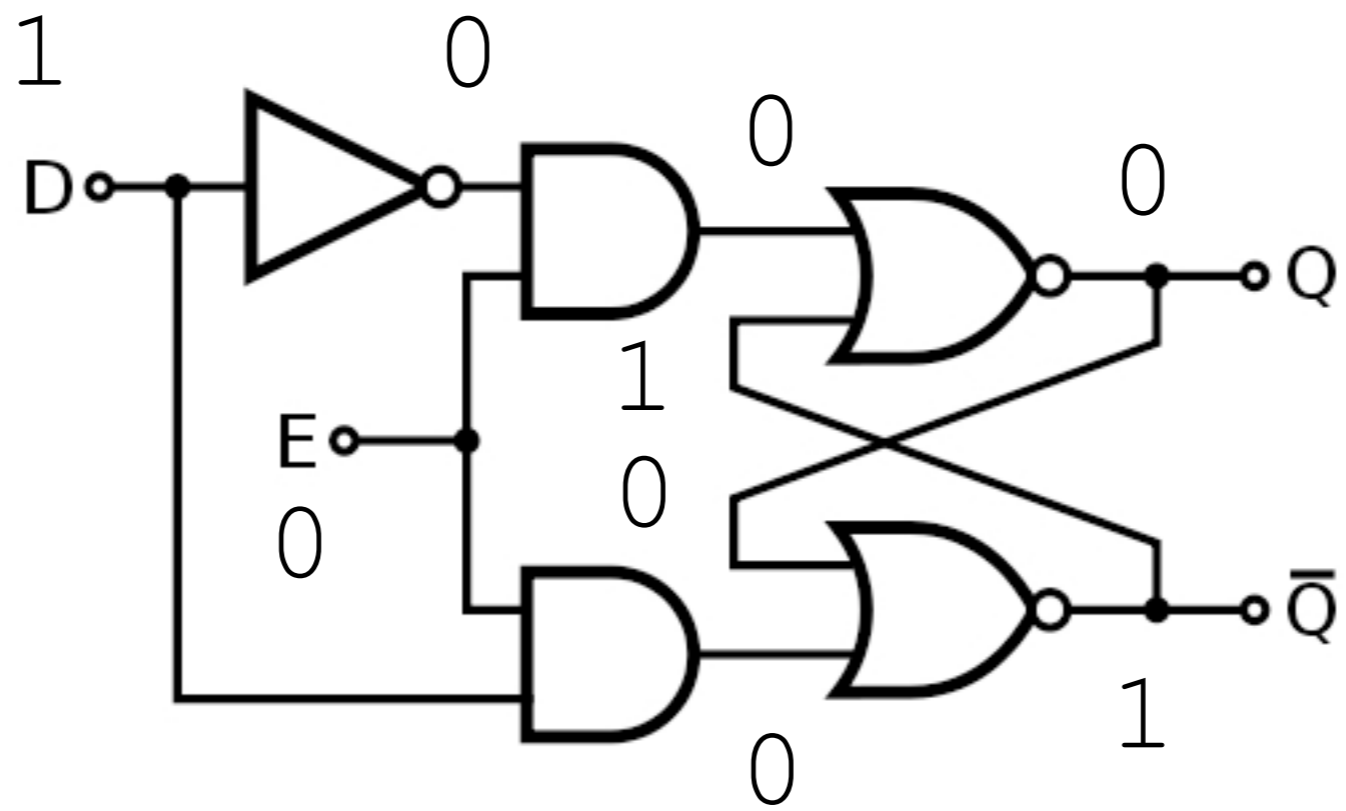
D: 1, Clock: 0, Q: 0



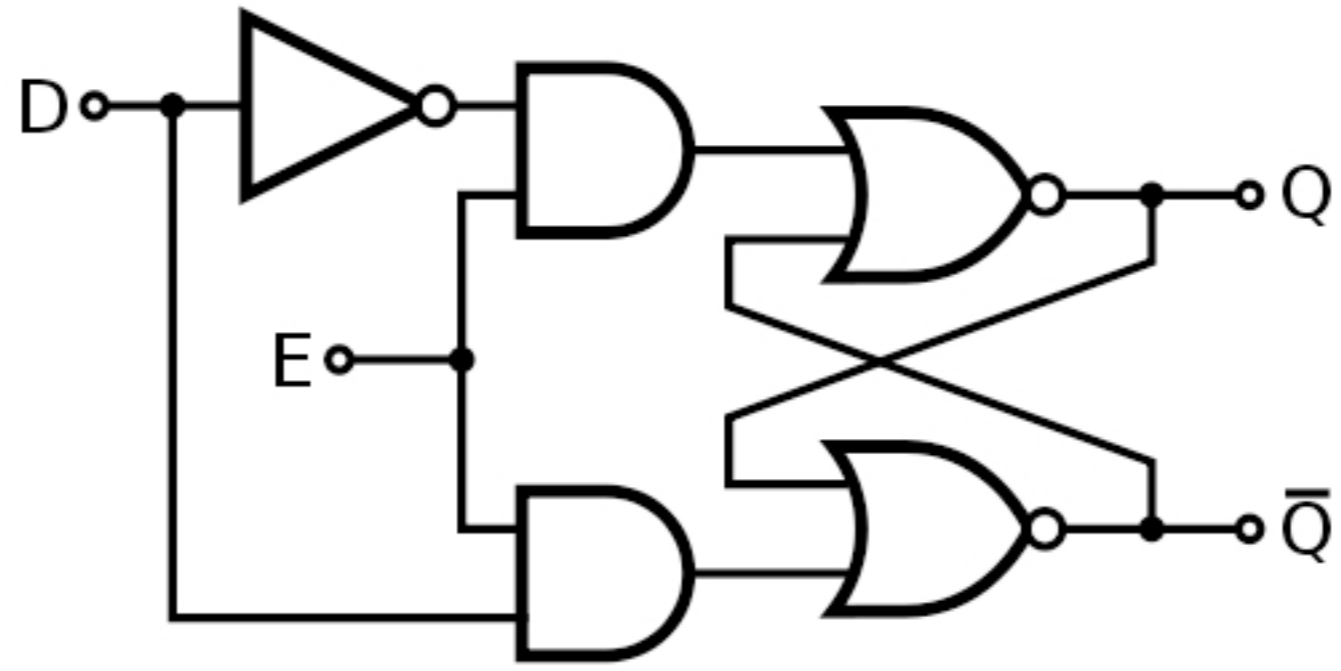


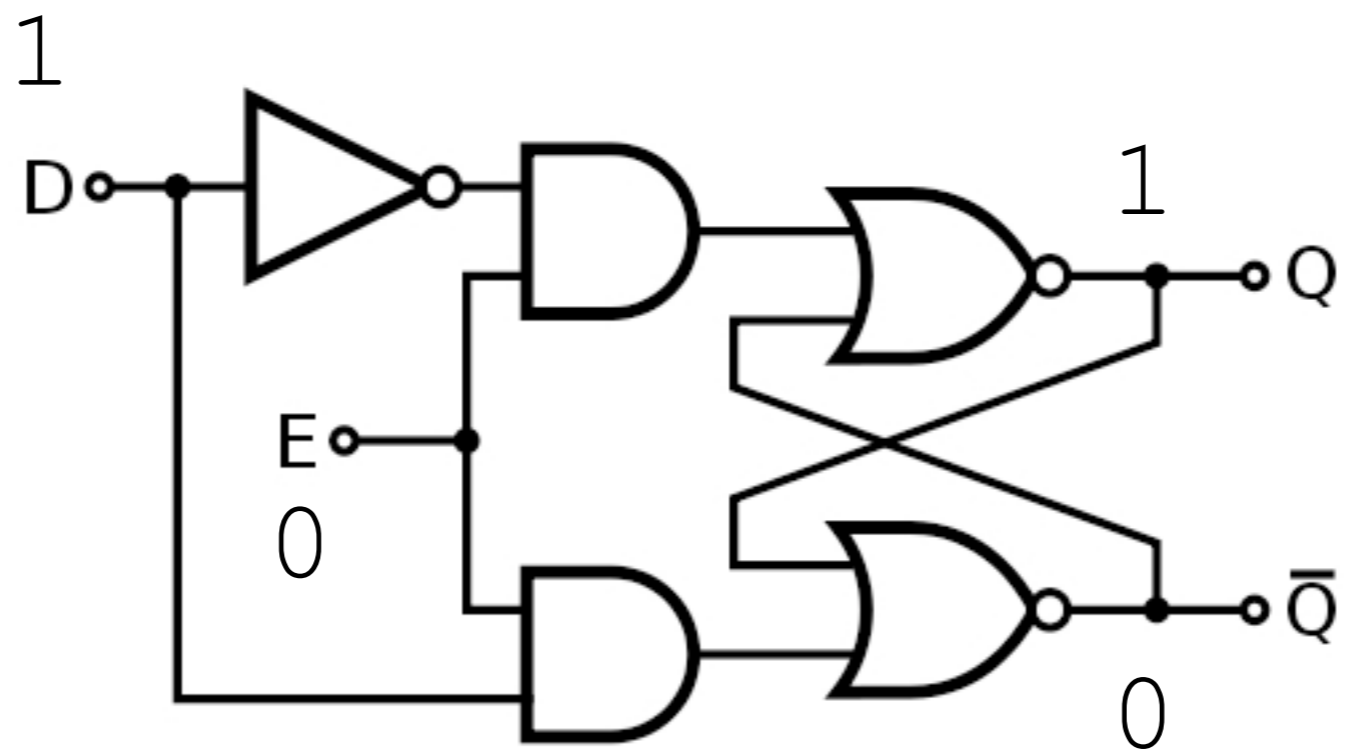


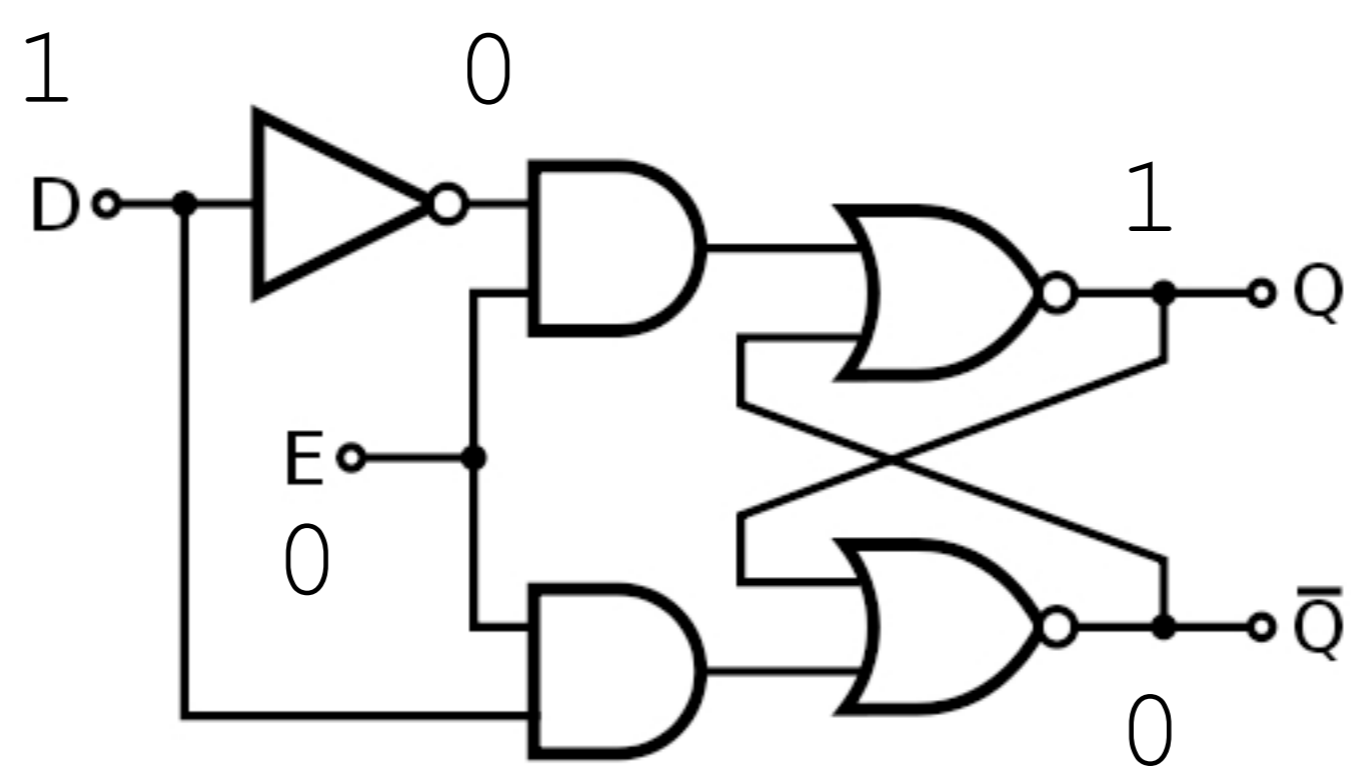


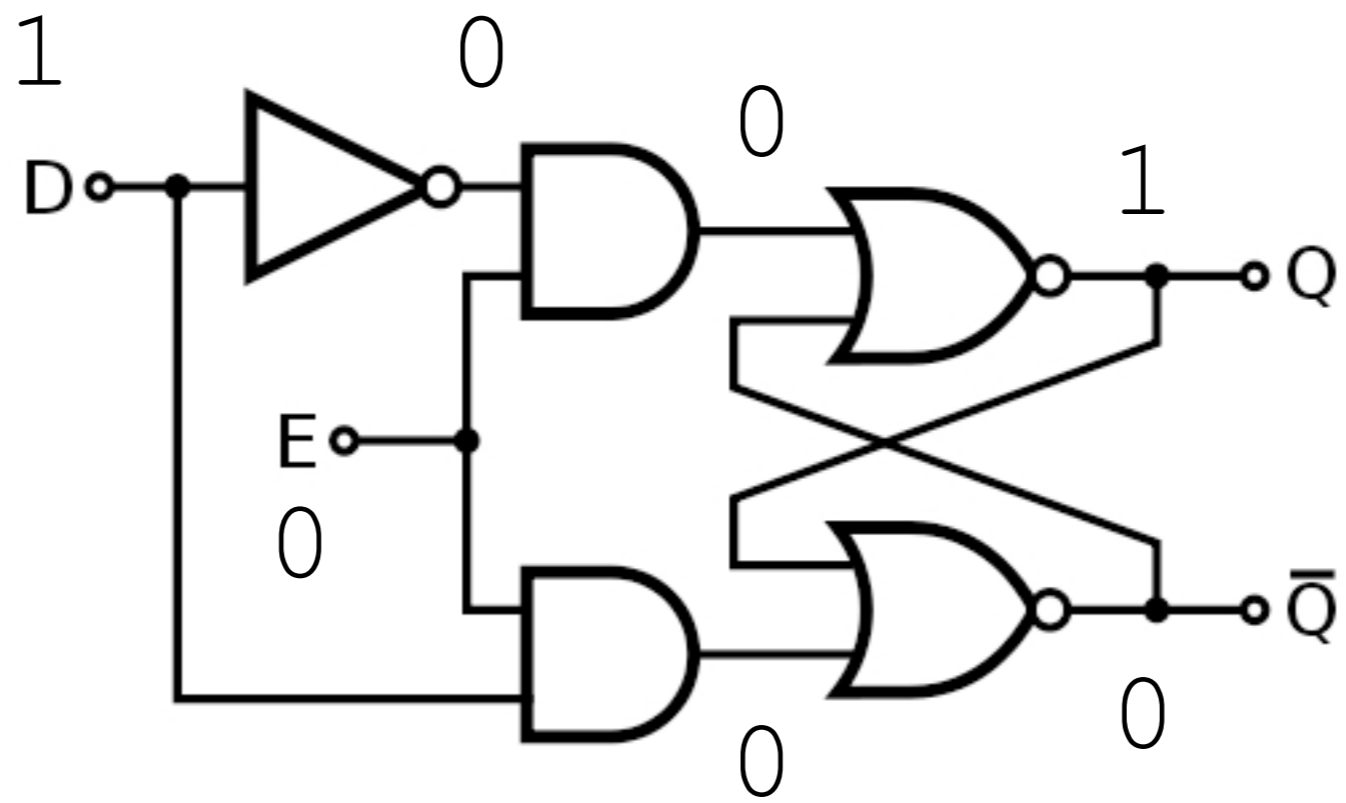


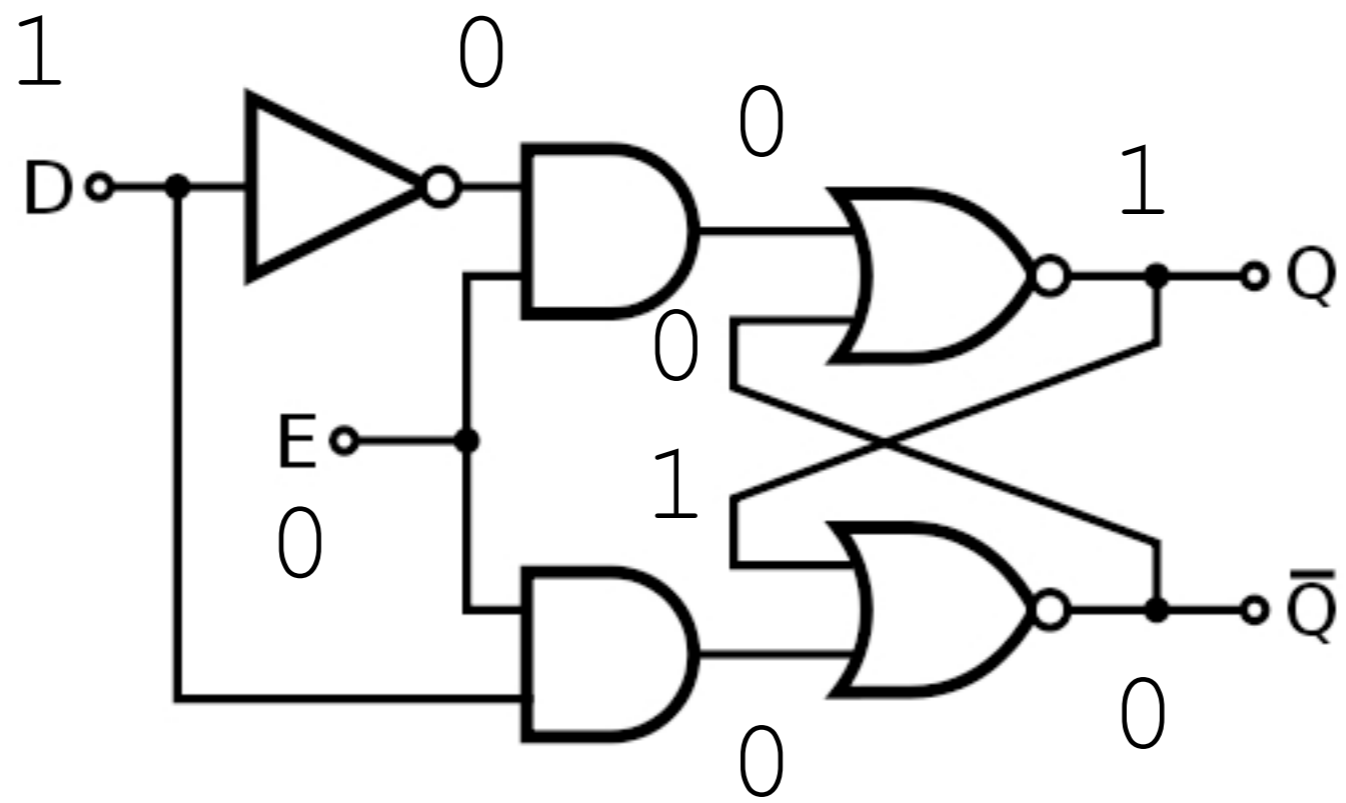
D: 1, Clock: 0, Q: 1

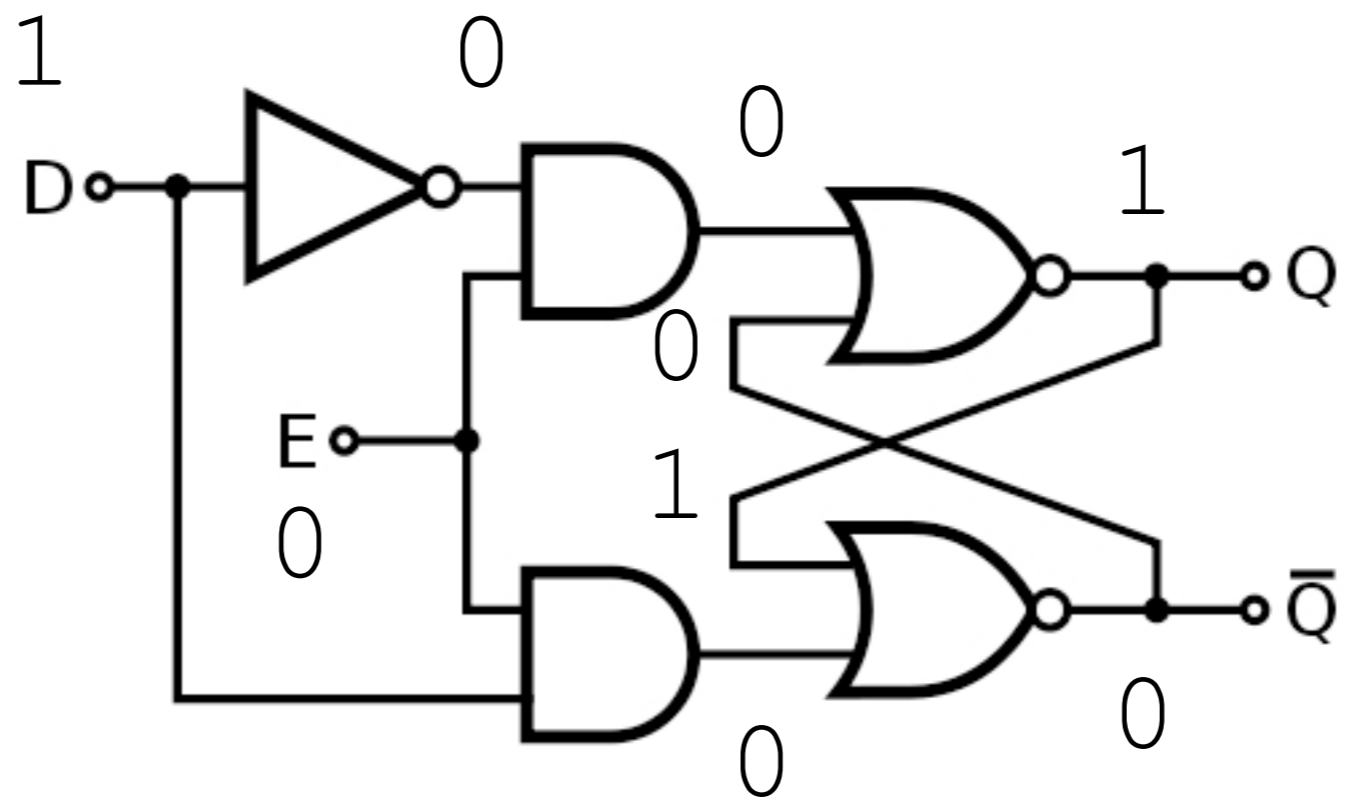




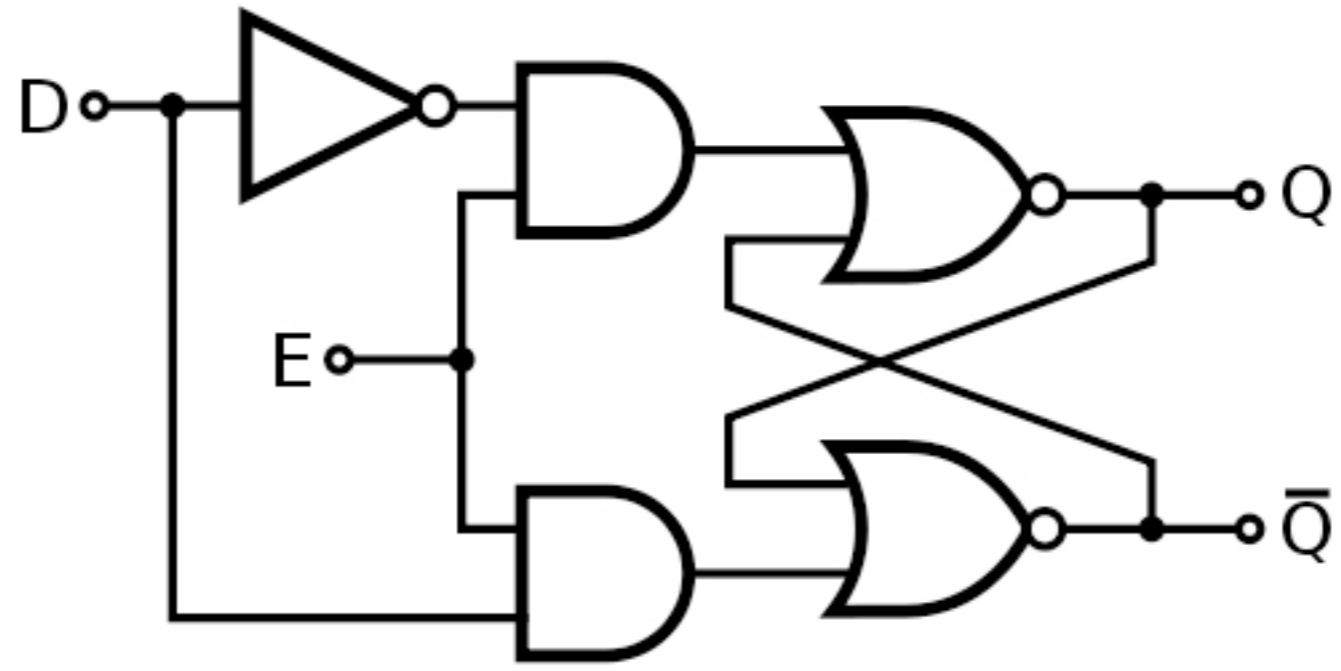


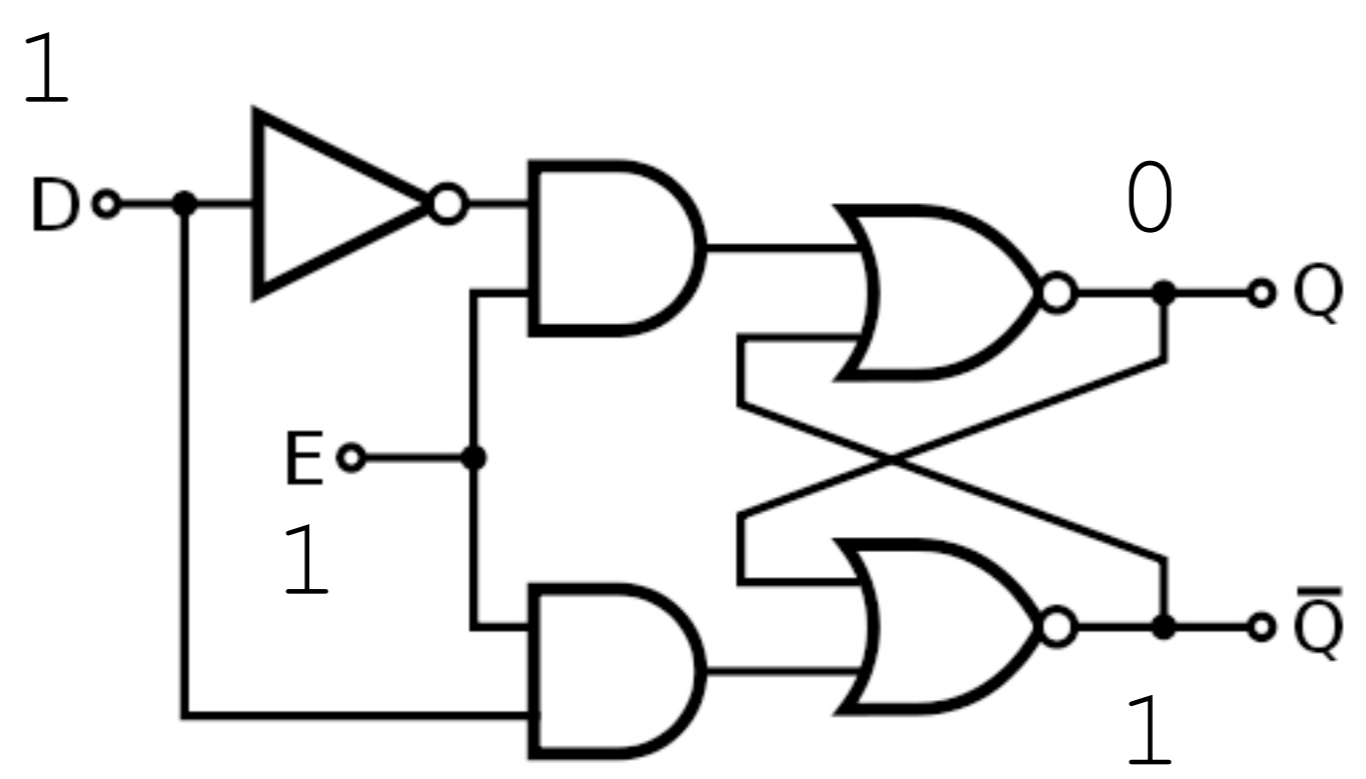


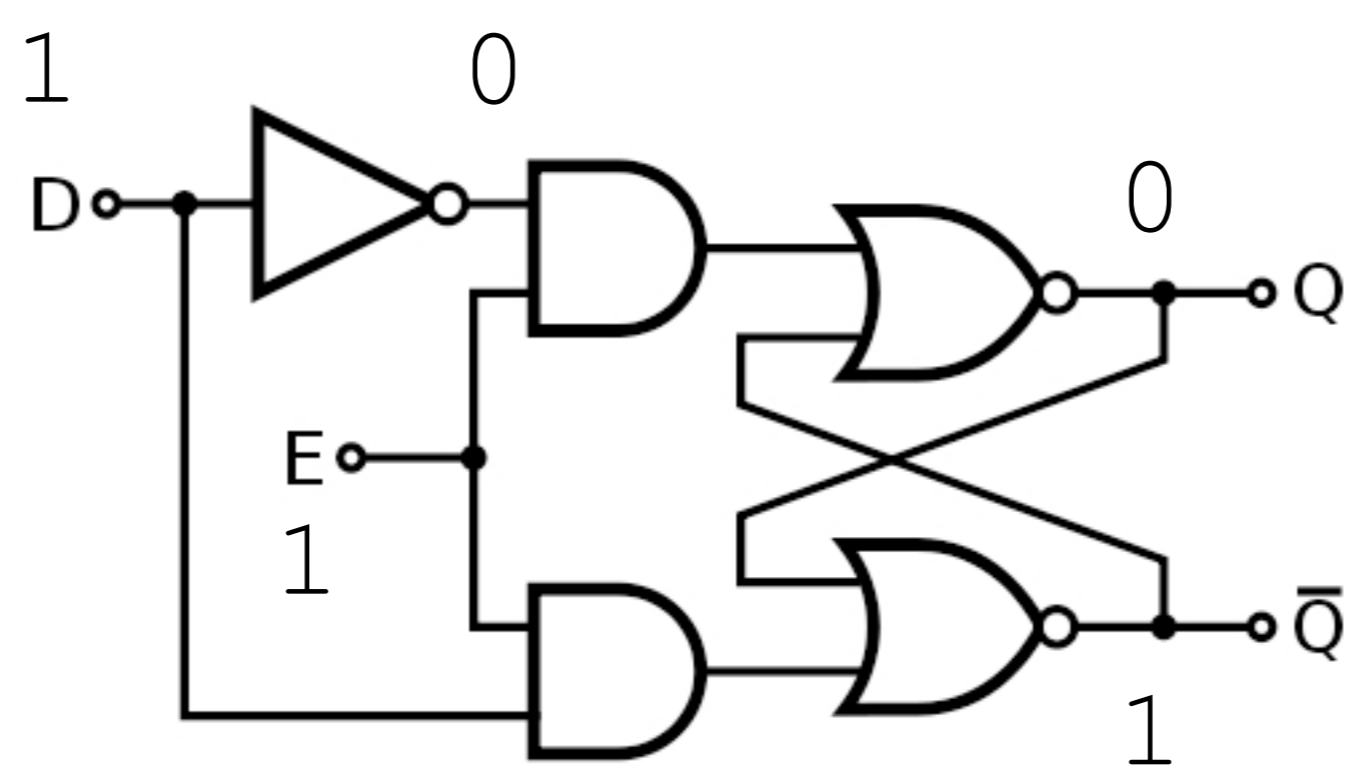


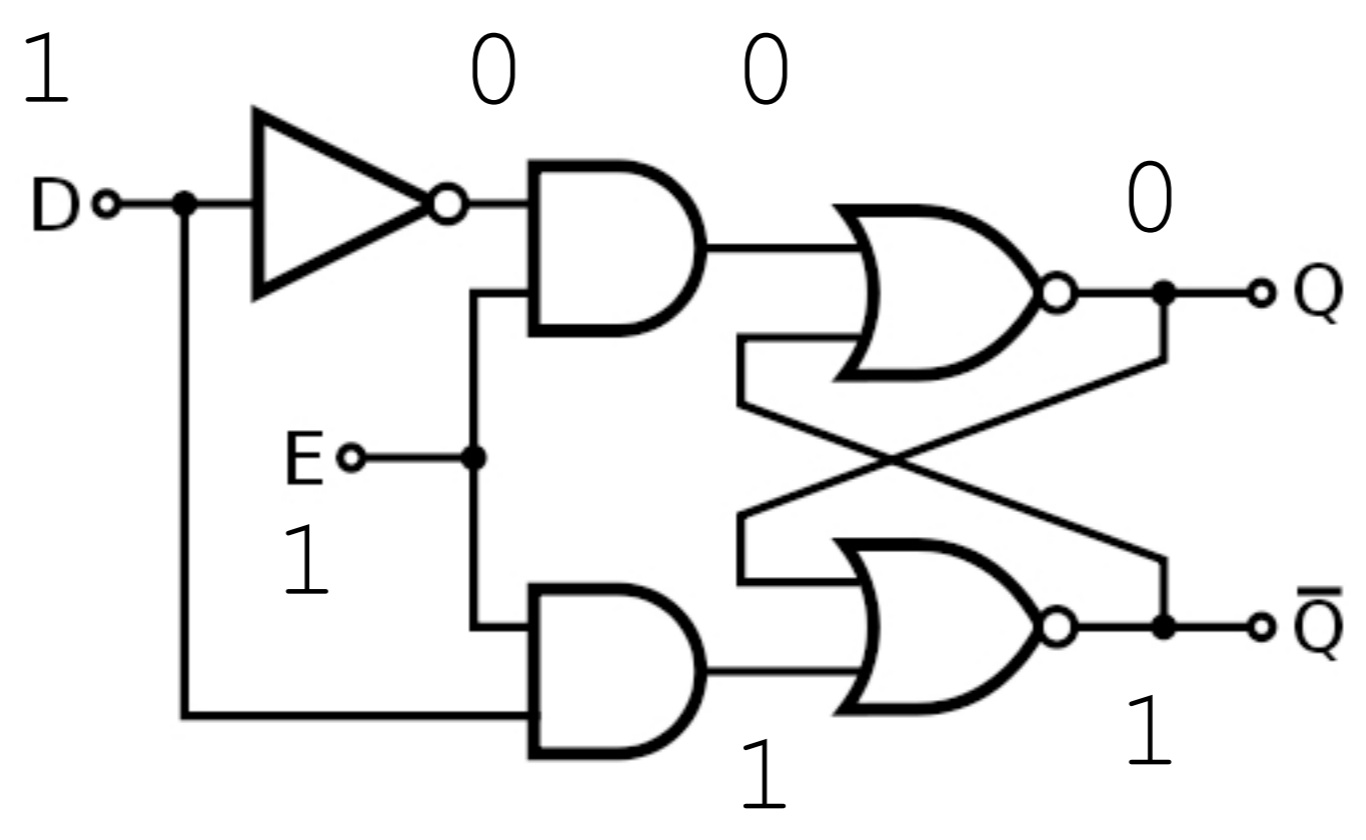


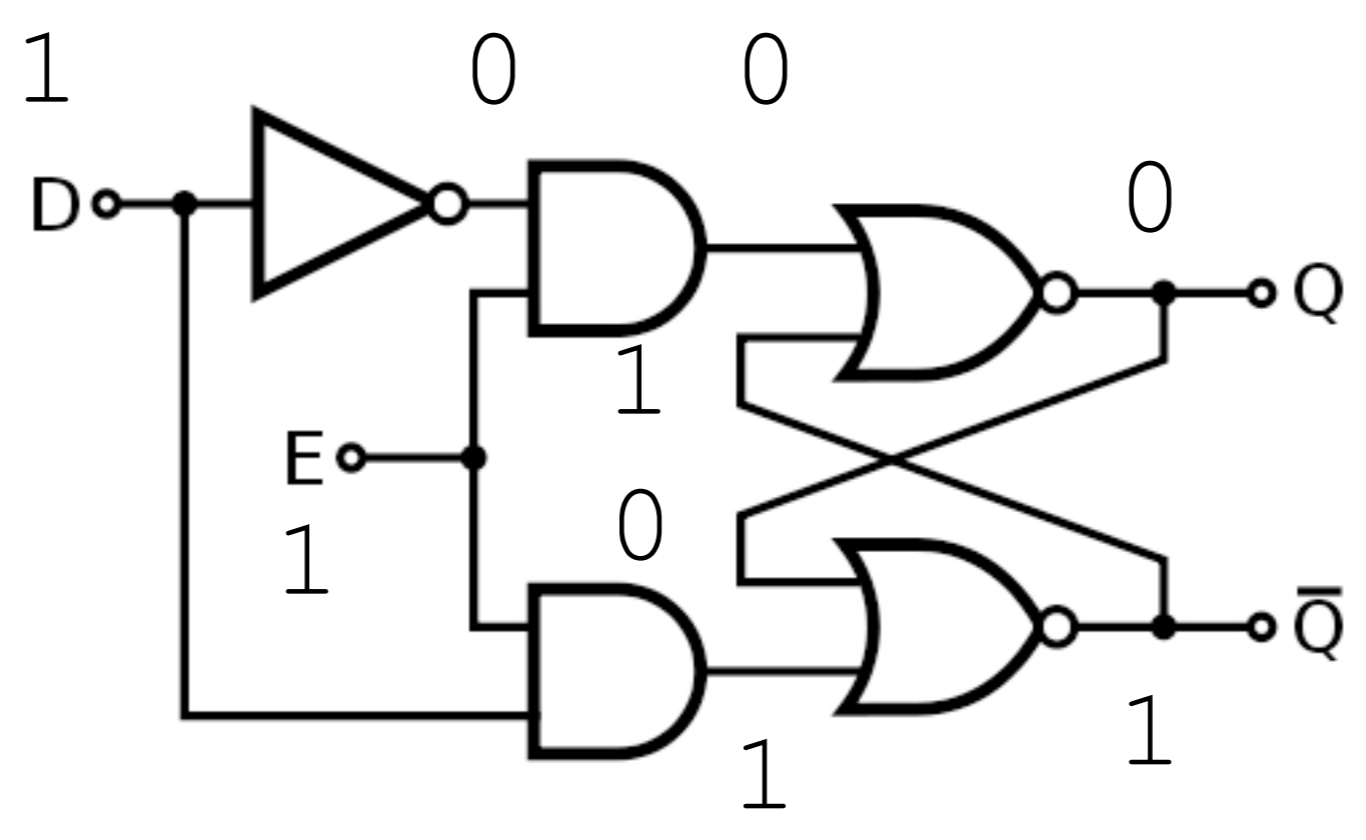
D: 1, Clock: 1, Q: 0

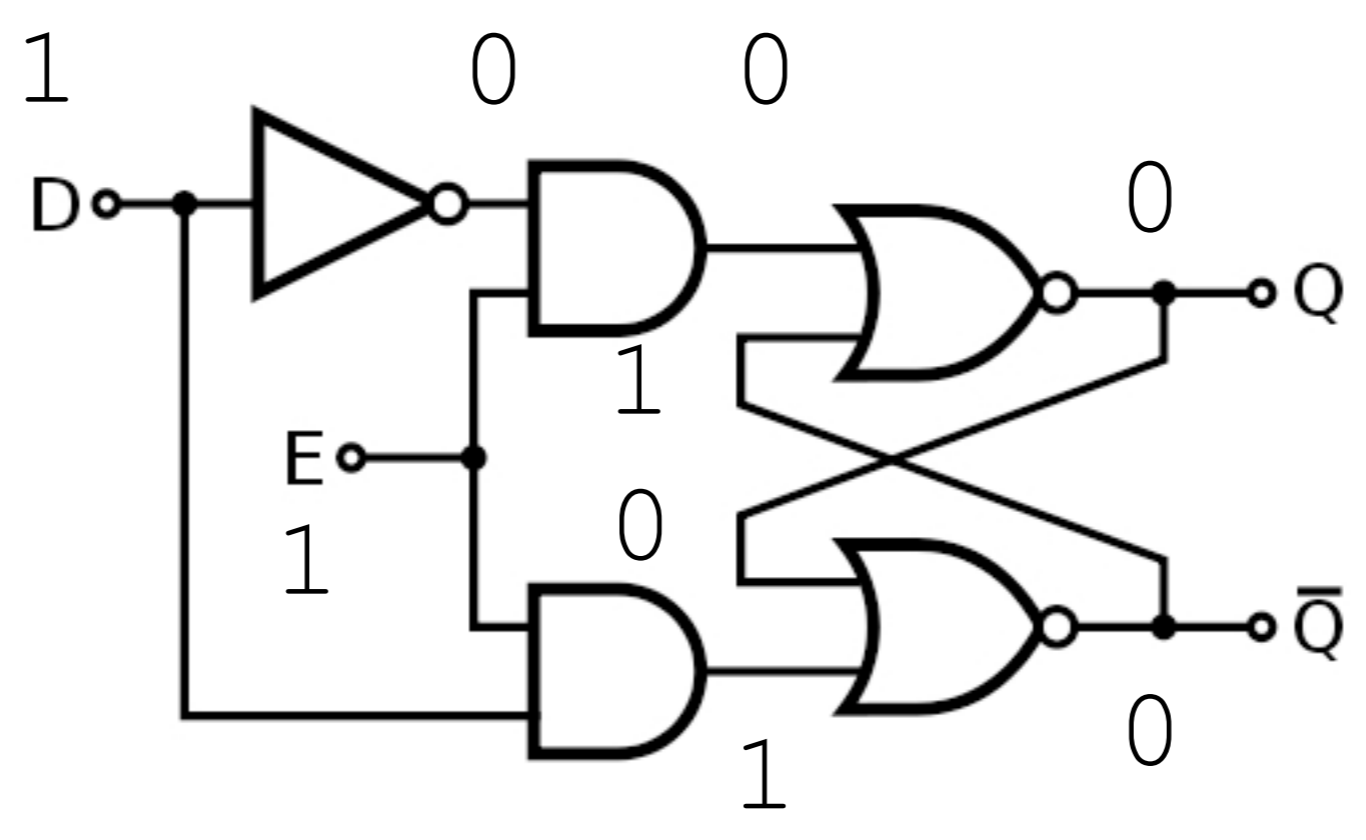


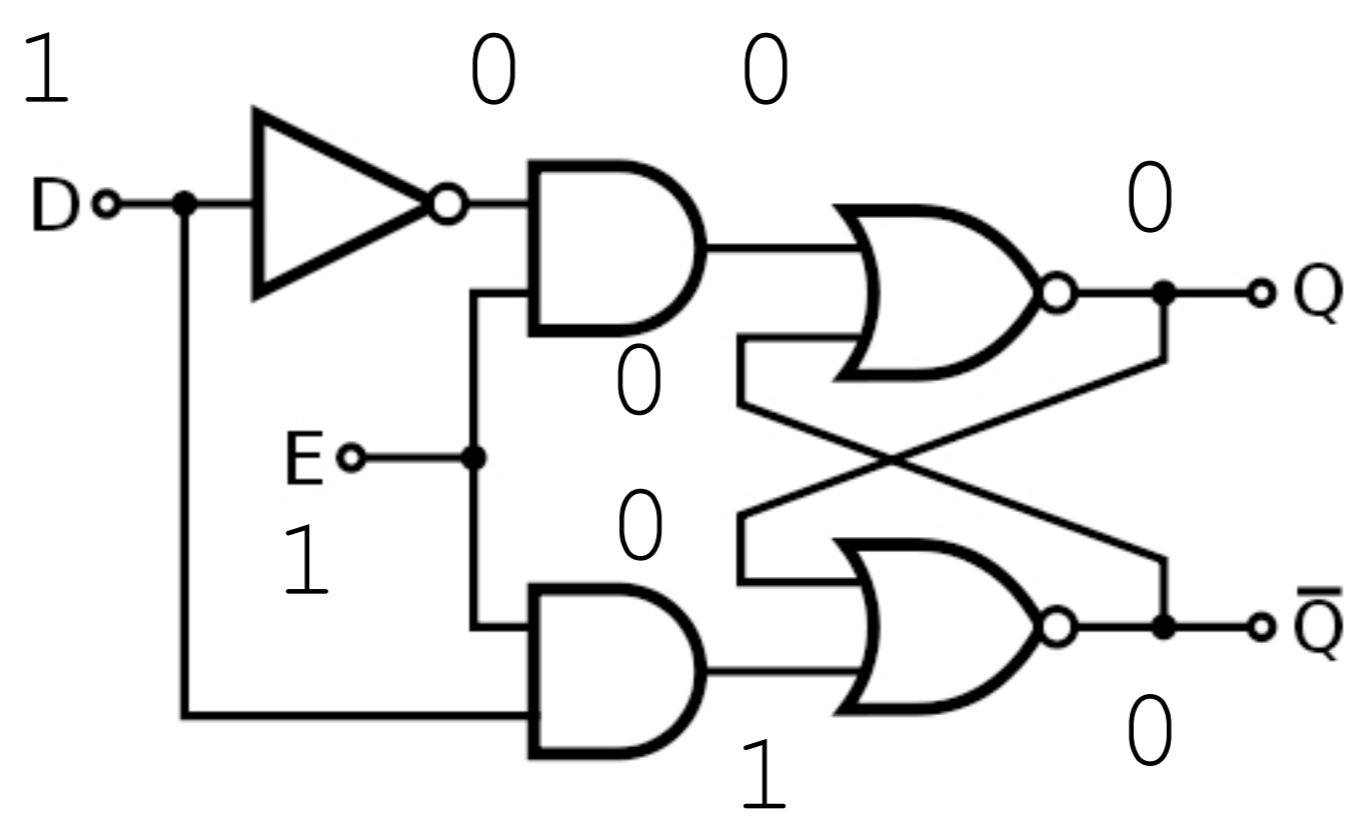


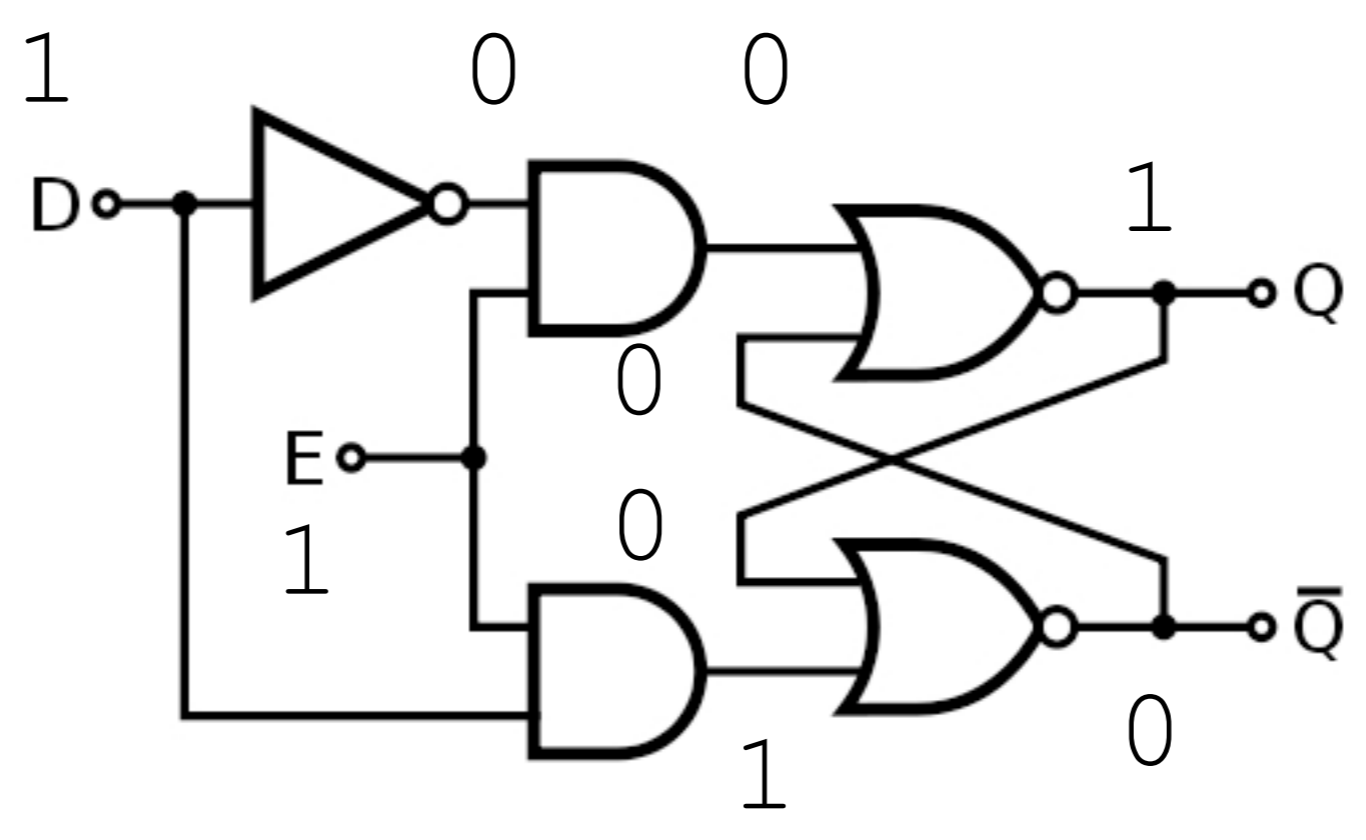


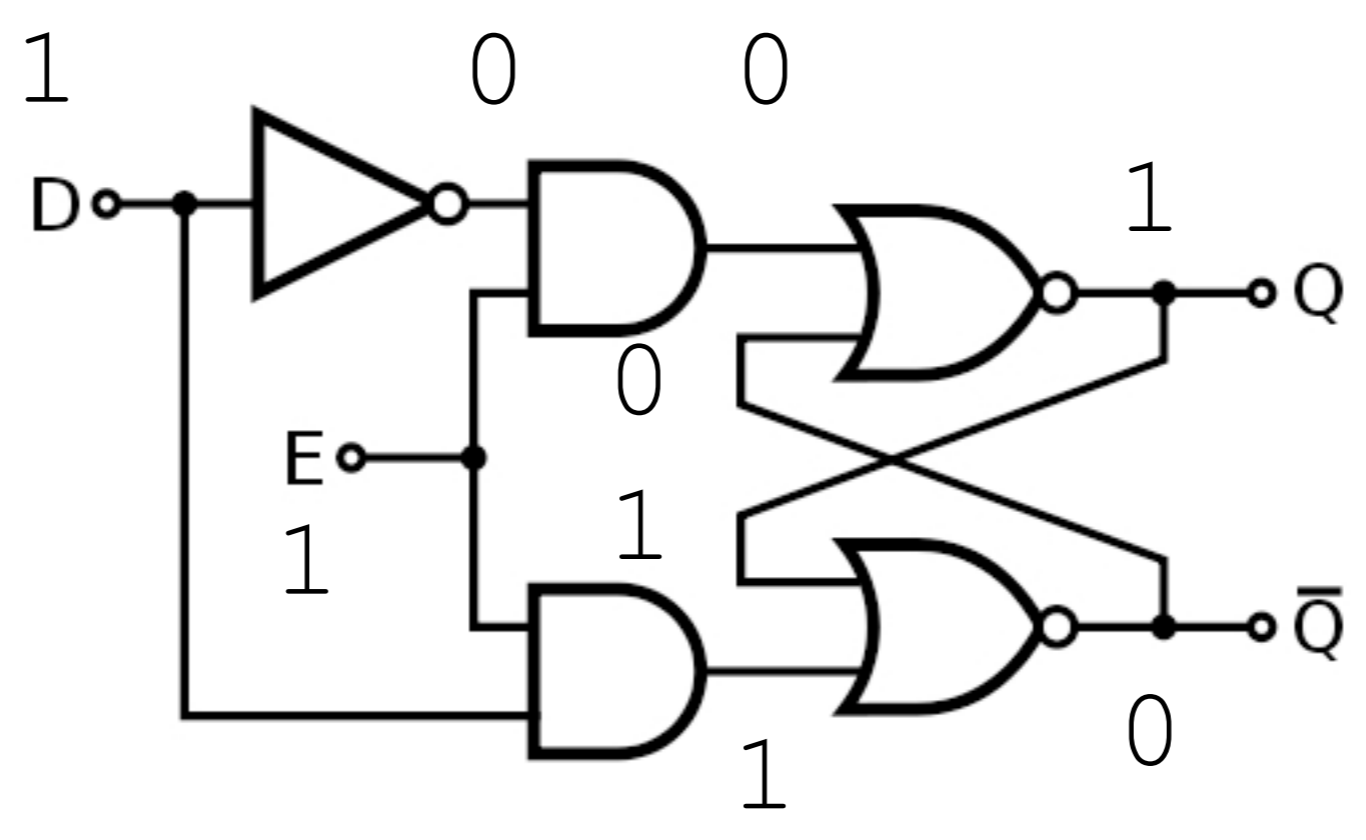












D: 1, Clock: 1, Q: 1

